

HB04-80W



SPECIFICATION SHEET

PROJECT NAME / No:

TYPE: _____ QTY: _____

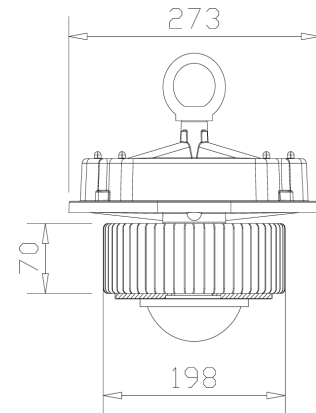
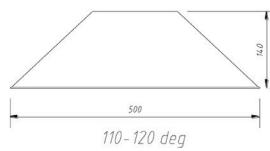
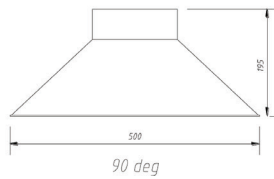
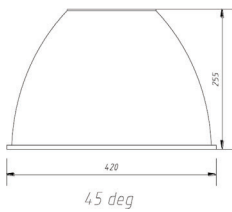
HB04-80W



Power Supply



STRUCTURE DIMENSIONS::



PRODUCT DESCRIPTION::

Input voltage range: 90V ~ 277Vac/47 ~ 63Hz
Constant current power supply with efficiency of 90%, and long life and high accuracy.
CREE XML chip up to 100lumens/w
Thermal conductivity brass heatsinks
Insulation rate: Class 1
International EMC Passed
Directives executed: IEC 60598, IEC 61000-3-2:2005, IEC61347, UL8750
IP65



Toll Free 1 888-653-3533 - Tel. 514 448-1574
OFFICE AND SHOWROOM
6068 Metropolitan East, Montreal (Quebec) H1S 1A9

HB04-80W

HB04-80W

Lum[⚡]nergie^{MD}



Power Supply



APPLICATIONS::

workshop,high way checking station, square,warehouse,advertisement board,parking lot.

LAMP PARAMETERS::

Input Voltage : Range 90-295Vac
Frequency Range : 47Hz ~ 63Hz
Inrush Current : 30A@ 220Vac Input ; Cold start
Power Factor : 0.95
LED Type : Cree XML T6
The Q'ty of led : 12 pcs
Led Consumption : 73W
Lamp Consumption : 82W
Led Luminous Efficiency : 100Lm/W
Led Initial Flux : 7200 Lm
Color Temperature : Detail information refer to above LED parameters table
Color Rendering Index : Ra>75
Beam angle : 45°/90°/120°
LED Junction Temperature @35°C : 75°C
Working Temperature : -20°C ~ +55°C
Working Life-span 70% : 50000H
Cable : VDE H05RNF 3G0.75mm OR UL SJTW 3G16 AWG

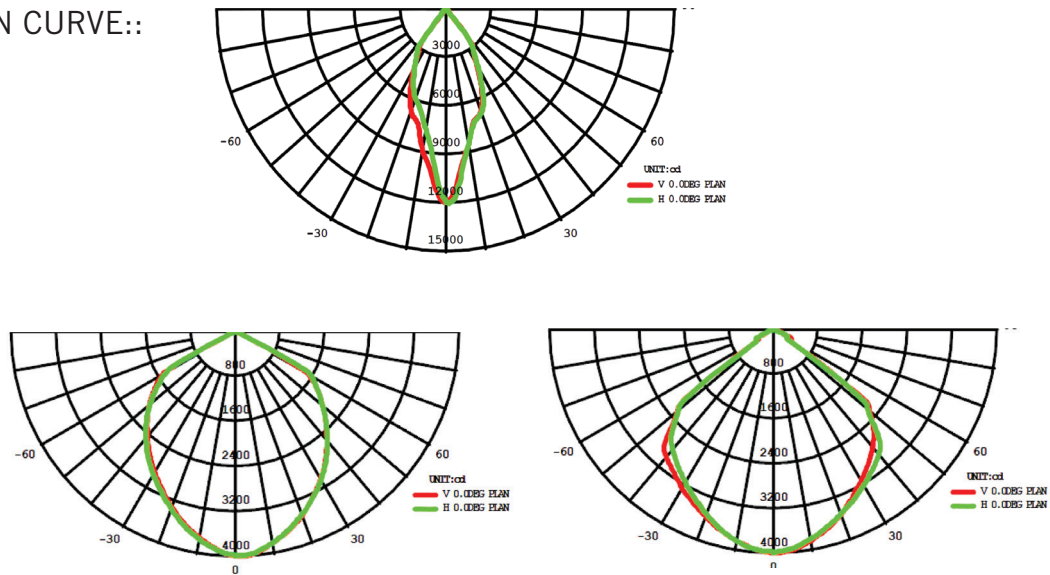
HB04-80W



LED PARAMETERS::

Item	Test condition	Min	Type	Max	Unit
Power Current				10	W
Forwarder voltage	IF: 2A	3	3.2	3.4	V
Color Temperature	Warm white	2700	3200	3900	K
	Pure white	4800	5000	5200	K
	Cool white	6000	6200	6500	K
LED heat resistance	IF: 3000mA	-	85	105	°C
Junction Temp	IF: 2A	-	75	150	°C
Luminous efficiency @2A	IF: 2A	80	100	120	(Lm/W)
LED chip brand	Cree XML T6 Class				

DISTRIBUTION CURVE::



Toll Free 1 888-653-3533 - Tel. 514 448-1574
 OFFICE AND SHOWROOM
 6068 Metropolitan East, Montreal (Quebec) H1S 1A9

HB04-80W