

# PL502R

DECODEL  
PAR Lumenergic


## SPECIFICATION SHEET


PROJECT NAME / No:


TYPE: \_\_\_\_\_ QTY: \_\_\_\_\_



PL502R

 1 5/8"

 1 5/16"

 1 5/16"

### SPECIFICATION ::

#### Electrical characteristics:

Wattage: 1W  
Input Voltage: 100-240V  
Constant current

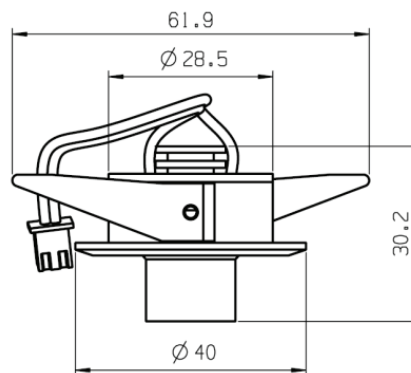
#### Optical Specification:

Led type: CREE  
Color temperature: 3000K  
Beam Angle: 30 degree  
Luminous Flux: 80 Lm

#### Physical characteristics:

Aluminium finish

### TECHNICAL DRAWING ::



DECODEL  
PAR Lumenergic

Toll Free 1 888-653-3533 - Tel. 514 448-1574  
OFFICE AND SHOWROOM  
6068 Metropolitan East, Montreal (Quebec) H1S 1A9

PL502R