

B5050-12V-72-10mm-17.8W-3000K-IP22

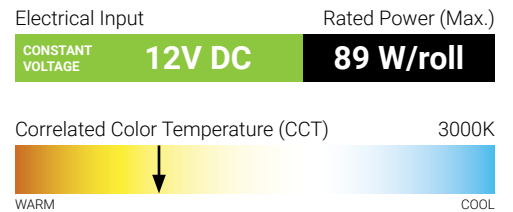
Specification Sheet



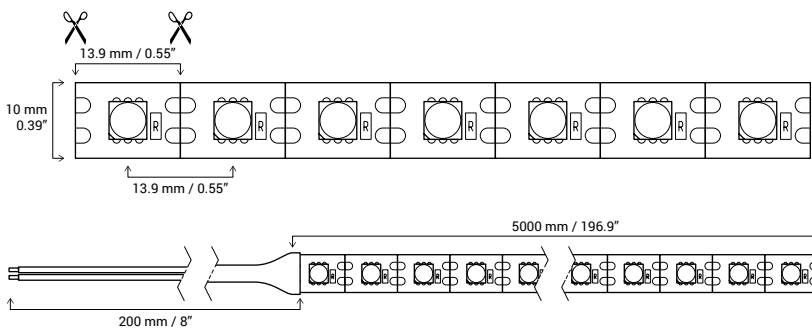
PHYSICAL			
Product Type	Flexible LED Strip		
SMD Type	5050		
Strip Width	2/5 in	10 mm	
Strip Total Length (Roll)	16.4 ft	5 m	
LED Linear Density	21.9 LED/ft	72 LED/m	360 LED/roll total
Can be cut at every	0.55 in	13.9 mm	1 LED
Lifespan	50 000 Hrs		
IP Code (IEC standard 60529)	IP22		

ELECTRICAL			
Input Type	DC, Constant Voltage		
Input Voltage	12V DC		
Rated Power (Max.)	5.4 W/ft	17.8 W/m	89 W/roll total

LIGHTING			
Luminous Flux	353.5 lm/ft	1159.7 lm/m	5798.5 lm/roll total
Luminous Efficacy	81.1 lm/W		
Correlated Color Temperature	3000K (Warm White)		
Colour Rendering Index	93.2		
R9	71		
duv (black-body curve deviation)	0.0017		



DIMENSIONS



B5050-12V-72-10mm-17.8W-3000K-IP22

Test Data for 1 Meter LED Strip Length



Chroma Parameters

Chromaticity Coordinates: $x=0.4312, y=0.4064, u=0.2459, v=0.3476, duv=0.0017$
 Correlated Color Temperature: 3082K
 Dominant Wave.: 581.7nm
 Purity: 51.4%
 Flux RGB Ratio: R=23.4%, G=74.9%, B=1.7%
 Peak Wave: 628.5nm
 Half Width: 176.8nm

Rendering Index: Ra=93.2

R1=94 R2=95 R3=95 R4=94 R5=92 R6=92 R7=95 R8=88
 R9=71 R10=87 R11=94 R12=76 R13=94 R14=97 R15=91

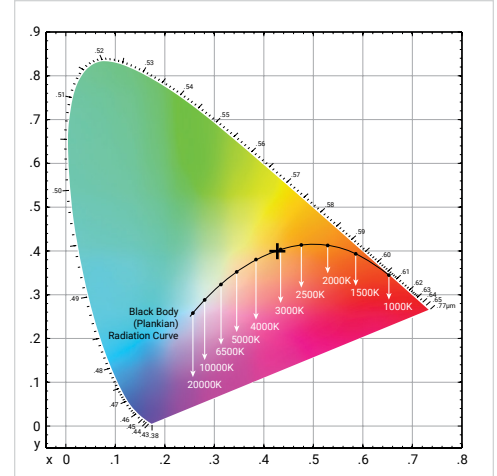
Photo Parameters

Luminous Flux: 1159.7 lm
 Luminous Efficacy: 81.1 lm/W
 Radiant Flux: 4100.3 mW
 Iv: 0.0 mcd

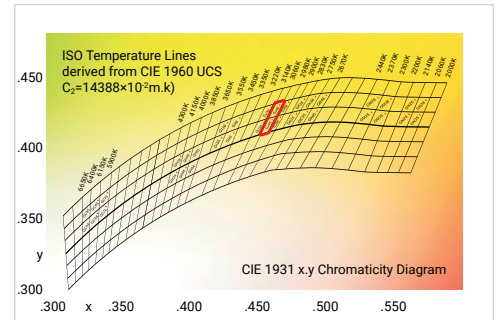
Electrical Parameters

Voltage: U=12.000V
 Current: I=1.1917A
 Power: P=14.3W
 Power Factor: PF=1.000

C.I.E. 1931 Chromaticity Diagram



Binning: GJ45-46 (3060-3140K)



Spectral Ratio: R=51.2%, G=38.5%, B=10.3%

