

## B5050-12V-72-10mm-17.8W-3500K-IP22

### Specification Sheet



#### PHYSICAL

Product Type	Flexible LED Strip		
SMD Type	5050		
Strip Width	2/5 in	10 mm	
Strip Total Length (Roll)	16.4 ft	5 m	
LED Linear Density	21.9 LED/ft	72 LED/m	360 LED/roll total
Can be cut at every	0.55 in	13.9 mm	1 LED
Lifespan	50 000 Hrs		
IP Code (IEC standard 60529)	IP22		

#### ELECTRICAL

Input Type	DC, Constant Voltage		
Input Voltage	12V DC		
Rated Power (Max.)	5.4 W/ft	17.8 W/m	89 W/roll total

#### LIGHTING

Luminous Flux	<b>373.2 lm/ft</b>	1224.4 lm/m	6122 lm/roll total
Luminous Efficacy	<b>80.5 lm/W</b>		
Correlated Color Temperature	<b>3500K (Bright White)</b>		
Colour Rendering Index	<b>93.1</b>		
R9	<b>86</b>		
duv (black-body curve deviation)	<b>0.0011</b>		



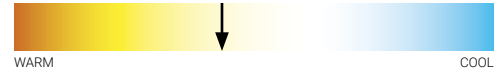
Electrical Input

Rated Power (Max.)

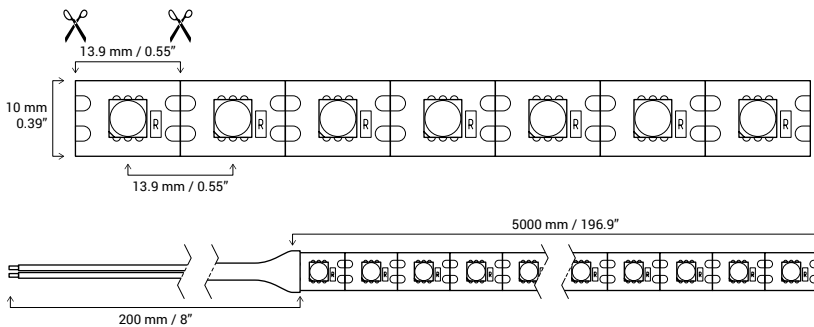
**CONSTANT VOLTAGE 12V DC**      **89 W/roll**

Correlated Color Temperature (CCT)

3500K



#### DIMENSIONS



## B5050-12V-72-10mm-17.8W-3500K-IP22

### Test Data for 1 Meter LED Strip Length



#### Chroma Parameters

Chromaticity Coordinates:  $x=0.3985, y=0.3896, u=0.2318, v=0.3399, duv=0.0011$   
 Correlated Color Temperature: 3644K  
 Dominant Wave.: 579.9nm  
 Purity: 36.5%  
 Flux RGB Ratio: R=19.8%, G=78.0%, B=2.3%  
 Peak Wave: 598.7nm  
 Half Width: 148.0nm

#### Rendering Index: Ra=93.1

R1=95 R2=95 R3=93 R4=96 R5=94 R6=92 R7=97 R8=95  
 R9=86 R10=88 R11=95 R12=76 R13=96 R14=96 R15=98

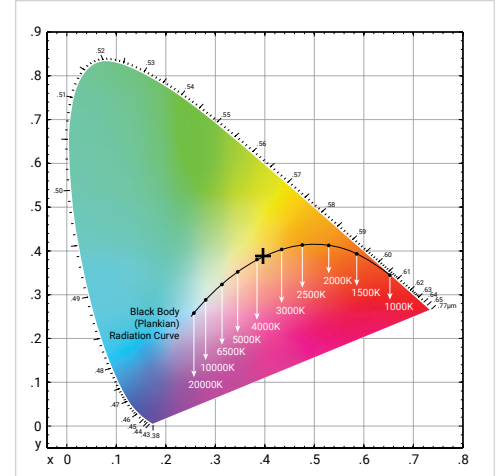
#### Photo Parameters

Luminous Flux: 1224.4 lm  
 Luminous Efficacy: 80.5 lm/W  
 Radiant Flux: 3654.1 mW  
 Iv: 0.0 mcd

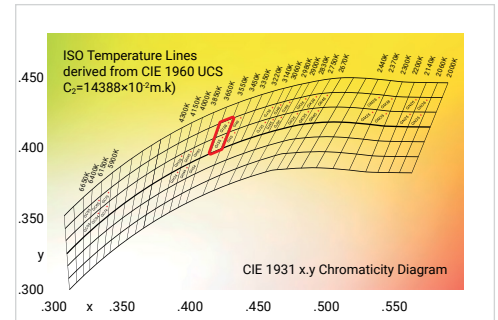
#### Electrical Parameters

Voltage: U=12.000V  
 Current: I=1.27A  
 Power: P=15.21W  
 Power Factor: PF=1.000

C.I.E. 1931 Chromaticity Diagram



Binning: G135-36 (3550-3650K)



Spectral Ratio: R=36.3%, G=47.3%, B=16.4%

