

# 2200

2000 SERIES

LUMEN™  
Truss

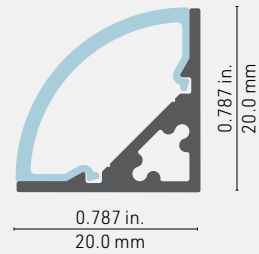


# 2200 PROFILE

2000 Series



## Cross-section dimensions:



## WELL FOCUSED ON THE TASK!

Creating a visual impact has never been easier with our new 2200 profile. Offering lighting without hot spots at a 45-degree angle from a corner, this series excels at maximizing appeal of the products in POP stands while maintaining a minimalist style. This profile includes a long lens fitting system to maximize its long term durability.

For a no points light effect combine the 2200 profile with an LED engine (at least 120 leds / meter) and our Prime lens.

### FEATURES

- Offers lighting with a beam oriented at 45 degrees.
- Designed to give a uniform light without hot spots
- Custom length by sections of 2 to 192".
- Application guide for 10mm (3/8-inch) LED engine or less.
- Made of ALCOA 6063-T5 aluminum alloy increasing heat dissipation.
- Its use increases the lifetime of your LED engine.
- New enhance mechanical fit for the lens.

### OPTIONS



### LED ENGINE COMPATIBILITY

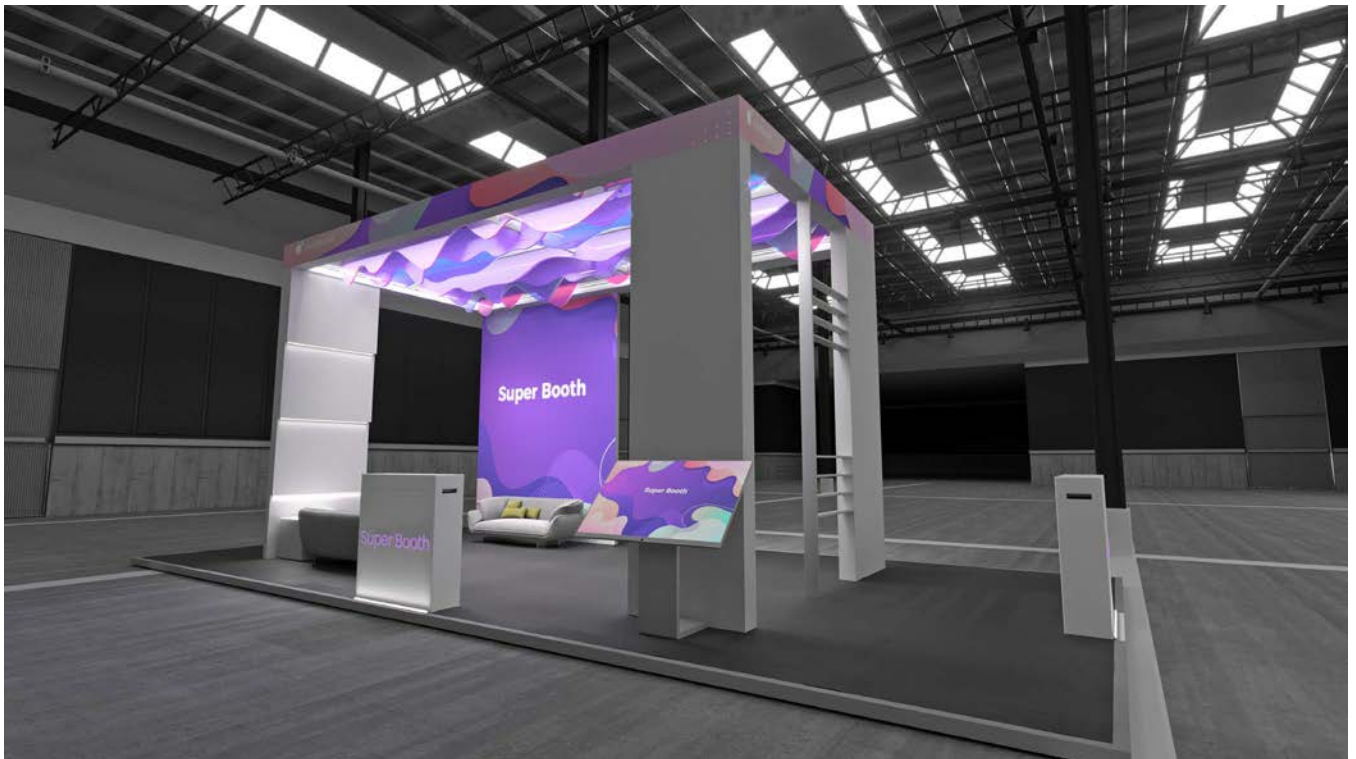
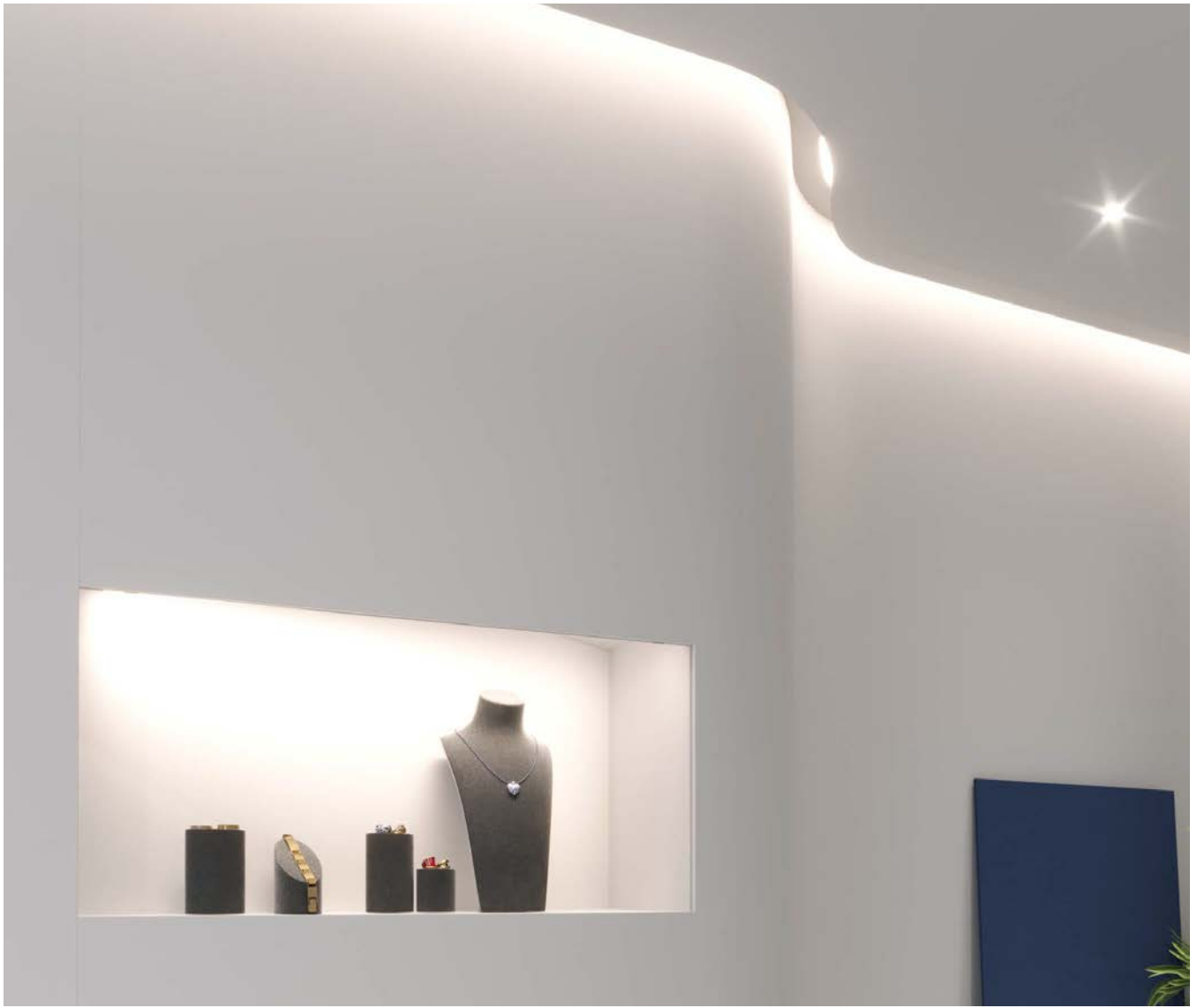
IP22: Compatible with LED engines up to **12mm** wide.

IP68: Compatible with LED engines up to **8mm** wide.

### LINEAR WEIGHT

0.139 lbs/ft, 0.120 kg/m (without lens)









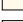
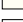











PROFILE	LENSES	MOUNTING HARDWARE	LENGTH
 <p>2200 - 2200 Profile, alu</p>	 <p>PR - Prime Lens</p>	 <p>45 - 45° corner bracket</p>	Custom length by sections of 2 to 192 inches (5m).
 <p>2201 - 2200 Profile, black</p>	 <p>BK - Black lens</p>	 <p>3M - Mounting tape, double face</p>	
 <p>220X - 2200 Profile, custom color</p> <p><b>IMPORTANT:</b> Give RAL color No. See Appendix 1 on page 262</p>	 <p>NO - No lens</p>	 <p>NO - No mounting hardware</p>	

RAL NUMBER

PROFILE LENS MOUNTING HARDWARE LENGTH

### COLOR TEMPERATURE

-  24 - 2400K
-  27 - 2700K
-  30 - 3000K
-  35 - 3500K
-  42 - 4200K
-  53 - 5300K (LHP only)
-  62 - 6200K (LP only)
-  WD1 - 2200-2700K 14W
-  WD3 - 2700-3500K 14W
-  TW1 - Tunable White 11W
-  TW2 - Tunable White 19W
-  RGB1 - RGB 14W
-  RGB2 - RGB 19W
-  RGBW1 - 3000K
-  RGBW2 - 3000K 4in1

### LUMEN PACKAGE\*

- LP0 - 128 LM / 1.5W FT / 90+CRI
  - LP1 - 160 LM / 1.5W FT / 90+CRI
  - LP2 - 255 LM / 3.0W FT / 90+CRI
  - LP3 - 308 LM / 4.5W FT / 90+CRI
  - LP4 - 400 LM / 5.8W FT / 90+CRI
  - LHP - 700 LM / 7.0W FT / 95+CRI
- Note:** Not applicable for WarmDim (WD), Tunable White (TW) & RGB color temperatures

### LEAD IN/OUT

- HW3 - Hardwire 3 FT
- HW6 - Hardwire 6 FT
- HW9 - Hardwire 9 FT
- HWX - Hardwire custom FT
- DC3 - DC plug 3 FT
- DC6 - DC plug 6 FT
- DC9 - DC plug 9 FT
- DCX - DC plug custom FT
- NO - No lead

### USAGE

- I - IP22 indoor dry location
  - O - IP68 wet/damp location.
- Note:** LHP, WarmDim (WD), Tunable White (TW), RGB and RGBW are only available in IP22.

### POWER SUPPLY/CONTROL

- A - Non-dimming
- B - ELV dimming 120V AC
- C - ELV dimming 120/277 VAC\*\*
- D - 0/10V dimming 120/277 VAC
- E - Non-dimming DC plug in
- F - DMX
- G - Lutron - HI-LUME PREMIER 0,1% Eco System 24V/96W
- I - Casambi CBU-A2D-0/10V-DALI-Bluetooth 100/277 VAC
- J - Casambi CBU-PWM4-4CH-Bluetooth 100/277 VAC
- K - Casambi CBU-TED-CV-Trail edge dim-Bluetooth 120 VAC
- NO - No driver

### \*NOTES

\*The light output is provided in lumens per foot, for a CCT of 4200K and a clear lens. Please refer to the optics page for CCT and translucency conversion factors.

\*\* Only available in 96W - 24V Driver



COLOR TEMPERATURE CCT

LUMEN PACKAGE

LEAD IN LEAD OUT

USAGE

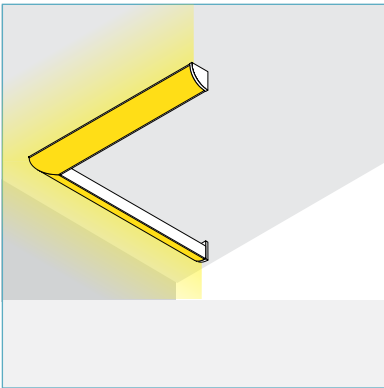
POWER SUPPLY/CONTROL

## CORNER ASSEMBLY OPTIONS

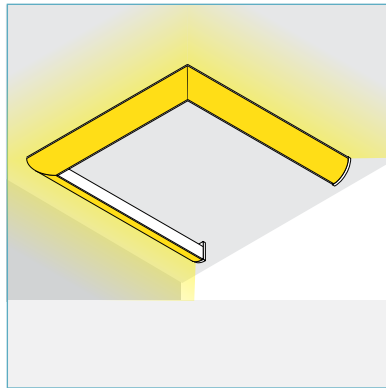
## ADDITIONAL COMMENTS

When ordering an assembly that requires corners, make sure to indicate the correct corner type. In order to do this, please specify the desired lighting layout using the form below.

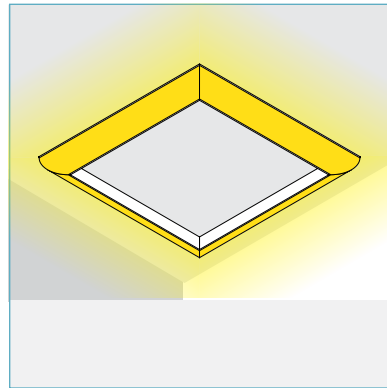
L-SHAPE



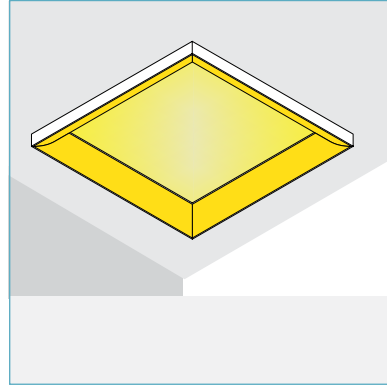
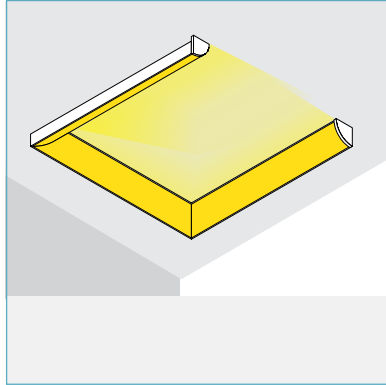
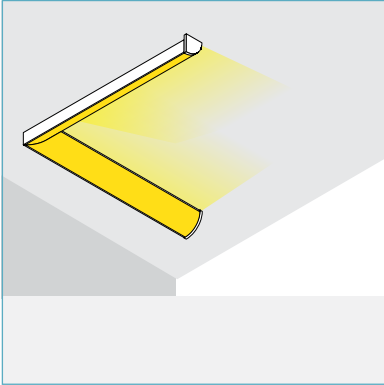
U-SHAPE



RECTANGLE



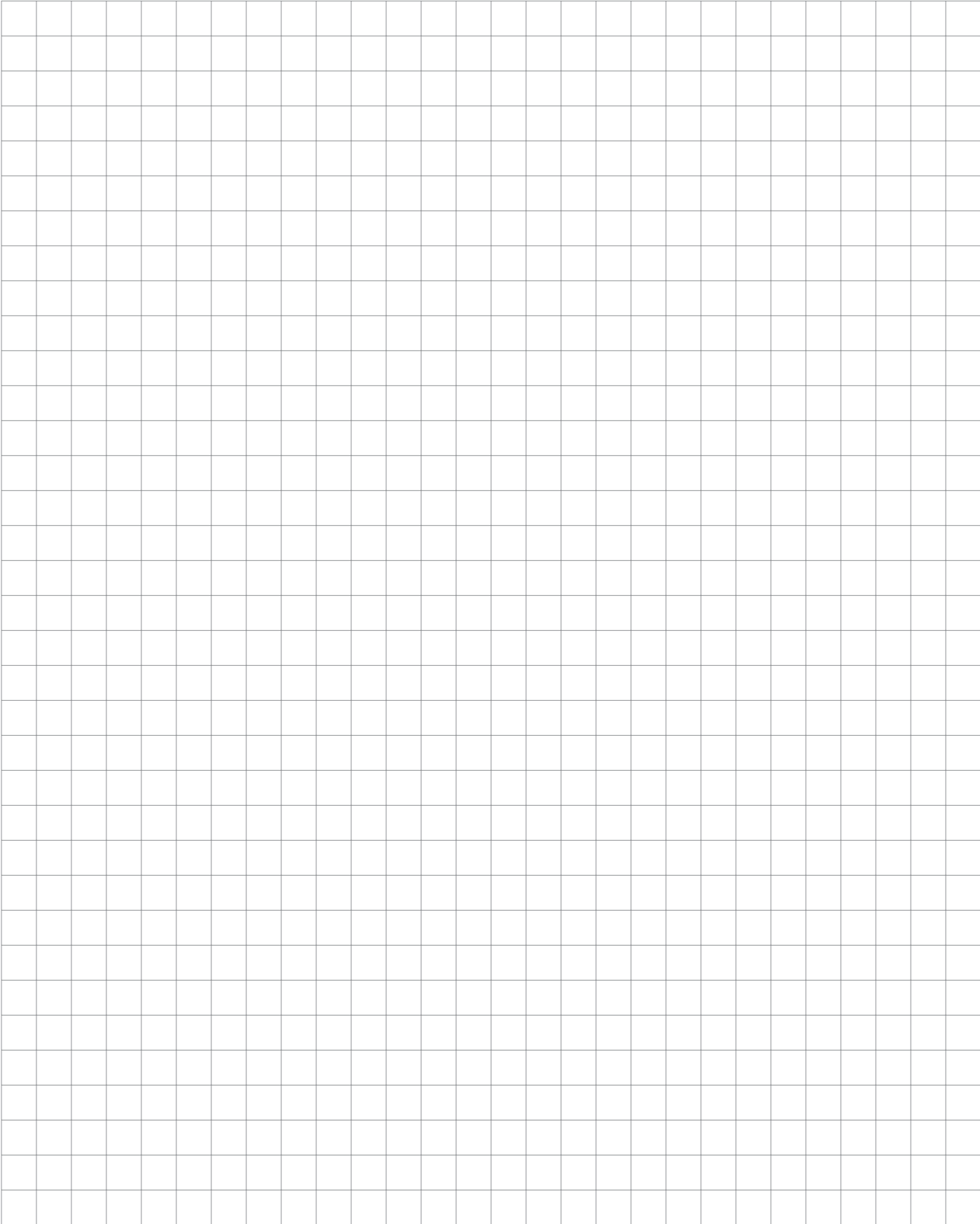
SIDE EXTERIOR



SIDE INTERIOR



# NOTES





## CONTACT US

### ADDRESS

9221 Edison  
Montreal, Quebec,  
H1J 1T4, Canada

### FAX

1.514.903.0649

### EMAIL

[info@lumentruss.com](mailto:info@lumentruss.com)

### PHONE

1.855.384.3384

### WEBSITE

[www.lumentruss.com](http://www.lumentruss.com)



MADE IN  
NORTH AMERICA

LUMEN™  
Truss