

2400

2000 SERIES

LUMEN™
Truss

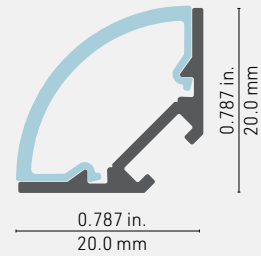


2400 PROFILE

2000 Series



Cross-section dimensions:



WELL FOCUSED ON THE TASK!

Offering lighting without hot spots at a 45-degree angle from a corner, this series excels at maximizing appeal of the products in POP stands, while maintaining a minimalist style. This profile includes a long lens fitting system to maximize its long term durability.

With a type A mounting channel in the back, you can easily join multiple sections with a type A straight joiner or use it to pass and hide the wiring behind the profile.

FEATURES

- Offers lighting with a beam oriented at 45 degrees.
- Designed to provide a uniform light without hot spots with our PRIME lens and an LED engine with 120 led/m density or more*.
- Custom length in sections of 2 to 192".
- Application guide for 10mm (3/8-inch) LED engine or less.
- Made of ALCOA 6063-T5 aluminum alloy increasing heat dissipation.
- Its use increases the lifetime of your LED engine.
- Type A mounting channel in the back of the profile
- New enhanced mechanical fit for the lens.

*Dot free only in certain configurations - contact your sales representatives for information



OPTIONS



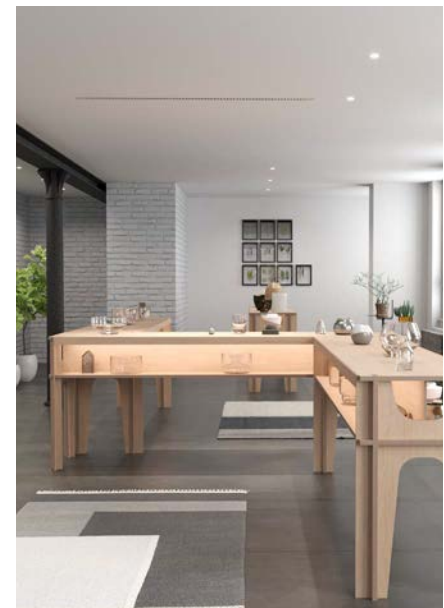
LED ENGINE COMPATIBILITY

IP22: Compatible with LED engines up to **12mm** wide.

IP68: Compatible with LED engines up to **8mm** wide.

LINEAR WEIGHT

0.10 lbs/ft, 0.152 kg/m (without lens)





INTELLIGENT DESIGN

A groove in the back of the extrusion is designed to conceal electrical wiring, giving the luminaire an even more aesthetic look.



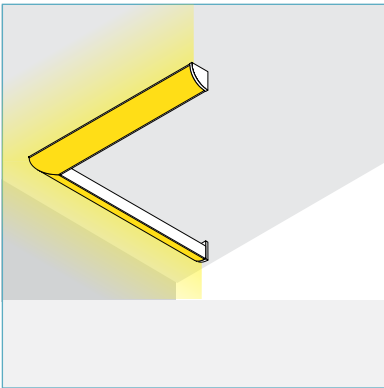


CORNER ASSEMBLY OPTIONS

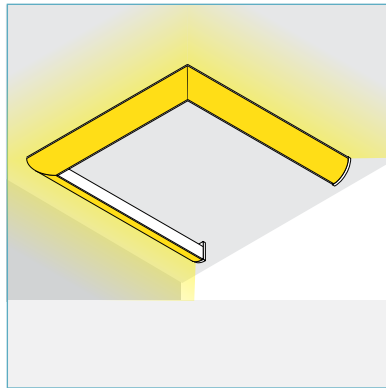
ADDITIONAL COMMENTS

When ordering an assembly that requires corners, make sure to indicate the correct corner type. In order to do this, please specify the desired lighting layout using the form below.

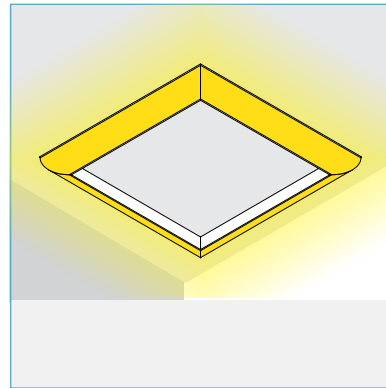
L-SHAPE



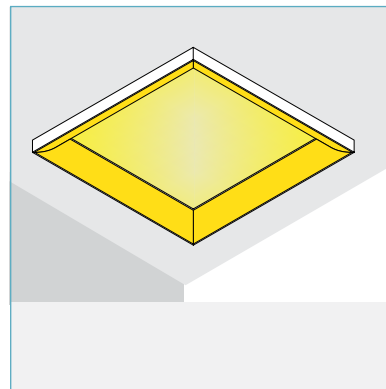
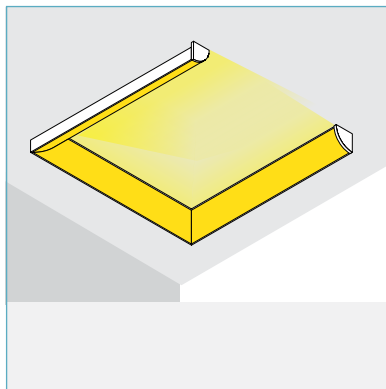
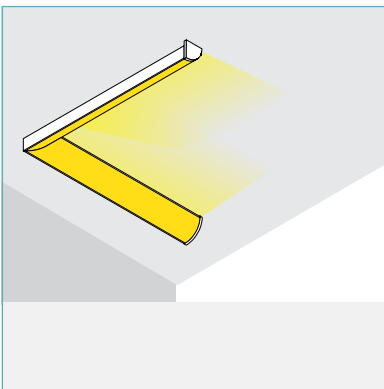
U-SHAPE



RECTANGLE



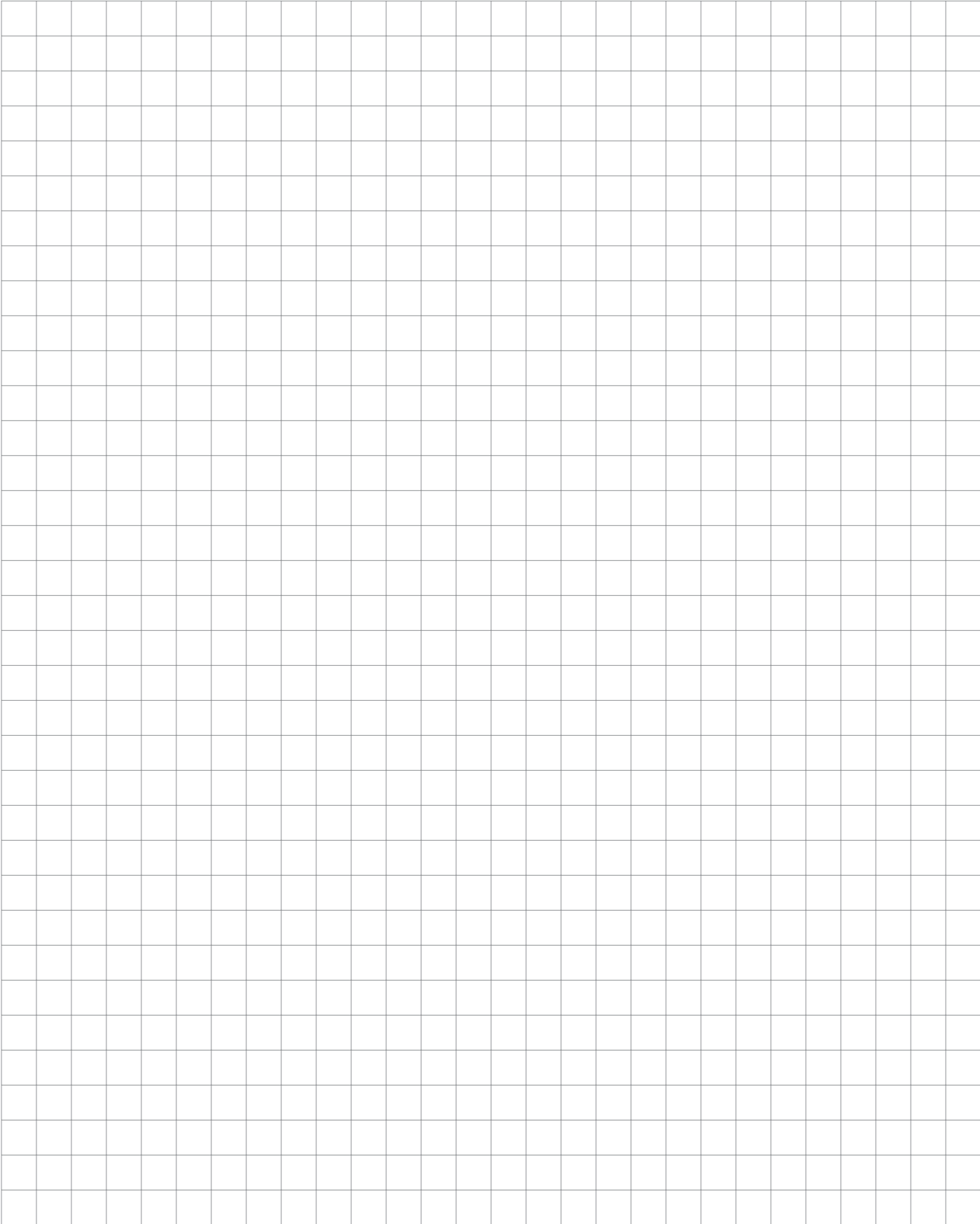
SIDE EXTERIOR



SIDE INTERIOR



NOTES





CONTACT US

ADDRESS

9221 Edison
Montreal, Quebec,
H1J 1T4, Canada

FAX

1.514.903.0649

EMAIL

info@lumentruss.com

PHONE

1.855.384.3384

WEBSITE

www.lumentruss.com



**MADE IN
NORTH AMERICA**

**LUMEN™
Truss**