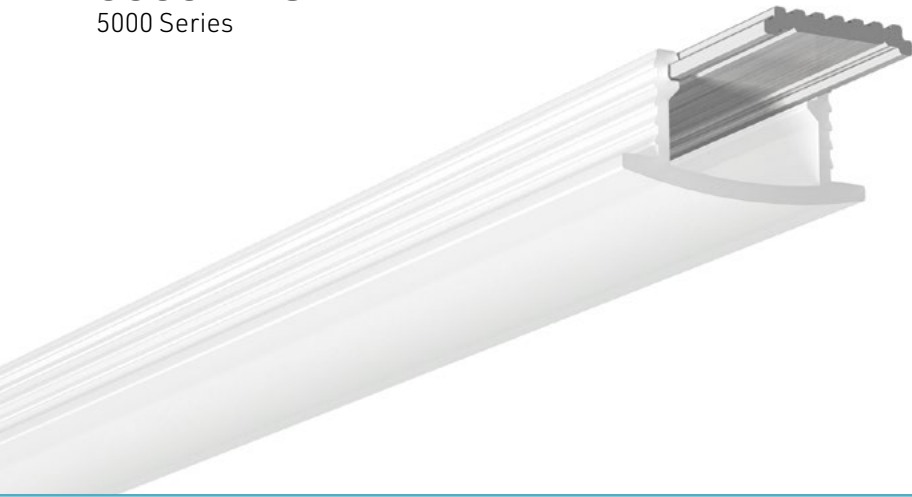
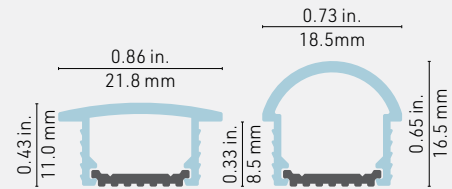


5000 PROFILE

5000 Series



Cross-section dimensions:



SIMPLICITY ITSELF!

The 5000 consists of an **aluminum heatsink base** inserted into a **flexible recessed lens** with gripping sides. It allows for a very **simple installation**, with the assembly inserted into the recess and staying in place due to the gripping ribbed lens sides. The 5/8" wide and 3/8" deep recess is a direct fit for North American cabinetry, closet, or mural applications, besides being economical and providing lighting without hot spots.

FEATURES

- Designed to give a uniform light without hot spots with the opal round lens.
- The 5200 (round) lens has a 0.31 inch (8mm) wall offset, while the 5300 (flanged) lens stands out only 1/10" (2.5mm).
- The LED heatsink base is made of aluminum for improved heat dissipation.
- The recess hole should be 5/8" (15.9mm) wide and 8.5mm (3/8 inch) deep minimum.
- Custom length by sections of 96 inches (2.44m).
- Application guide for 10mm (3/8 inch) LED engine or less.
- Designed to meet North American woodworking standards.

OPTIONS

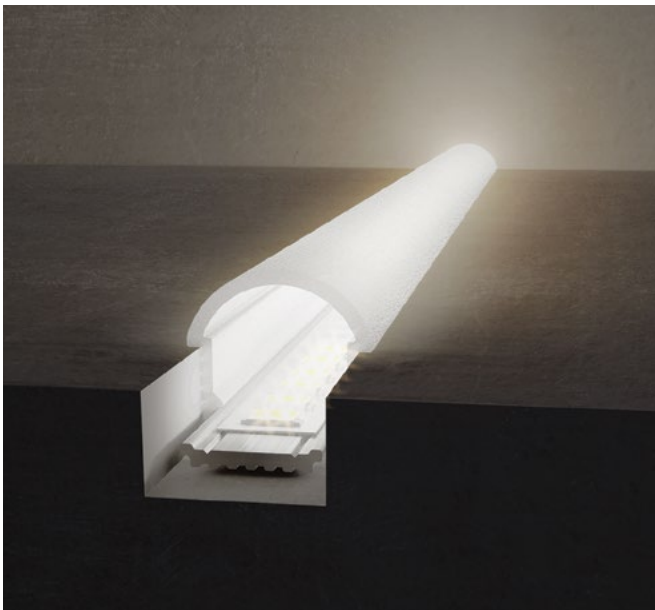


LED ENGINE COMPATIBILITY

IP22: Compatible with LED engines up to **10mm** wide.







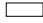





LINEAR WEIGHT

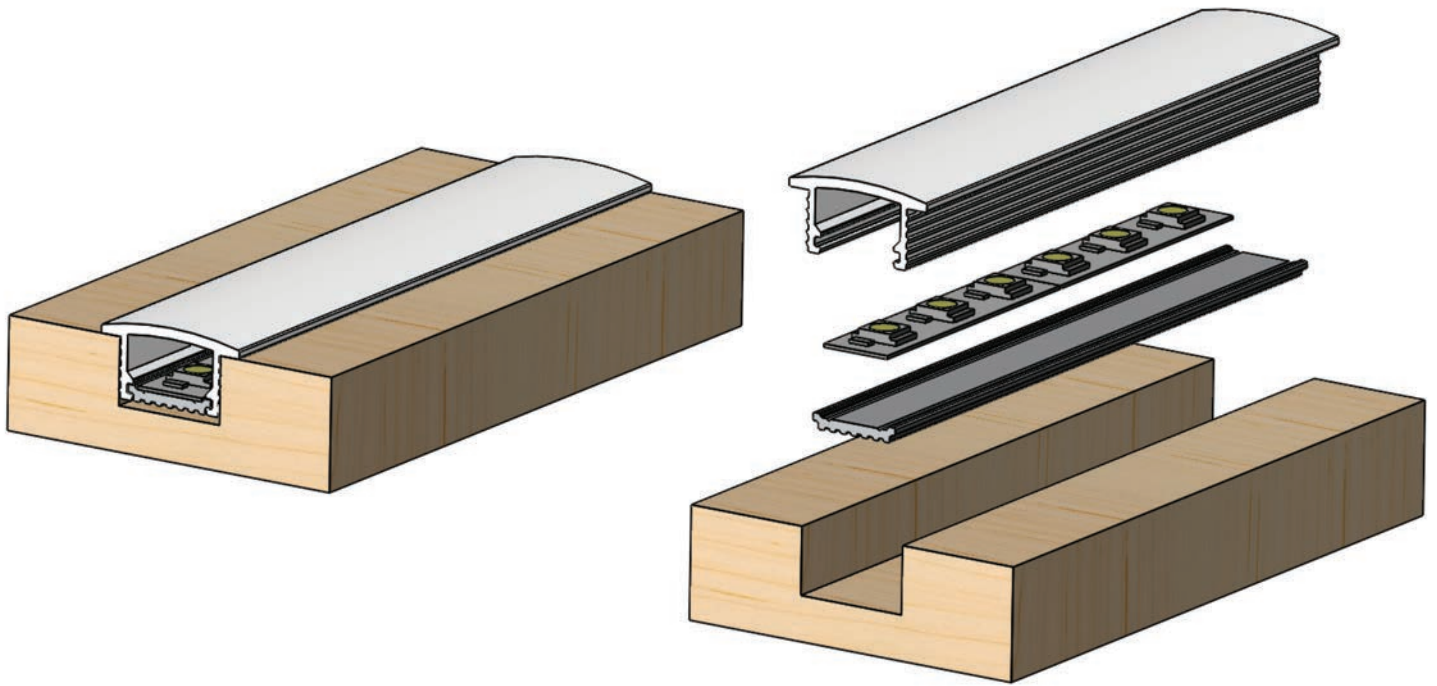
0.035 lbs/ft, 0.052 kg/m (without lens)
0.035 lbs/ft, 0.052 kg/m (with 5300 flanged lens)
0.035 lbs/ft, 0.052 kg/m (with 5200 round lens)



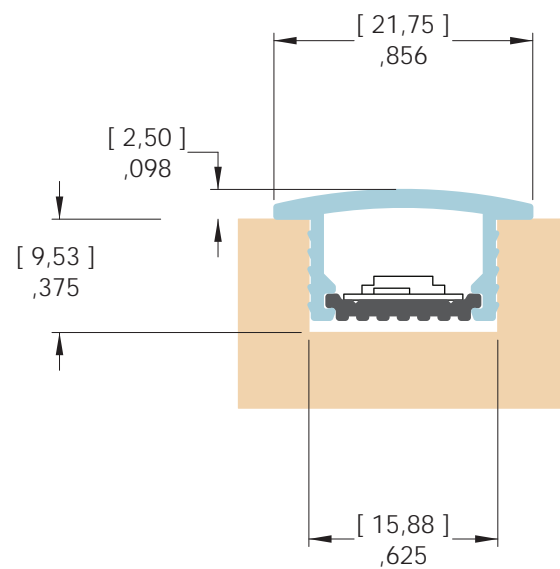
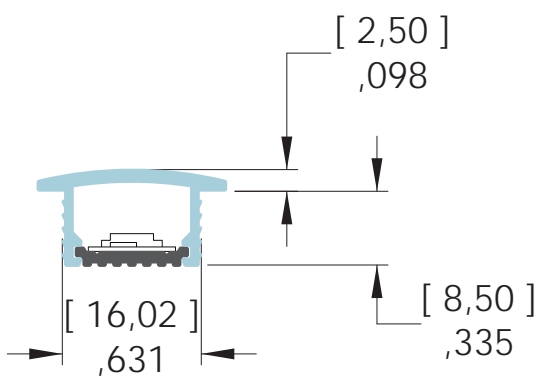
PROFILE	LENSES	MOUNTING HARDWARE	LENGTH
 <p>5000 - 5000 Heatsink profile, alu</p>	 <p>OPF - Opal lens, flanged</p>  <p>OPR - Opal lens, round</p>  <p>NO - No lens</p>	 <p>3M - Mounting tape, double face</p>  <p>NO - No mounting hardware</p>	<p>Custom length by sections of 96 inches (2.44m).</p>
5000			
PROFILE	LENS	MOUNTING HARDWARE	LENGTH

5000

COLOR TEMPERATURE	LUMEN PACKAGE*	LEAD IN/OUT	USAGE	POWER SUPPLY/CONTROL	*NOTES
<ul style="list-style-type: none">  24 - 2400K  27 - 2700K  30 - 3000K  35 - 3500K  42 - 4200K  53 - 5300K (LHP only)  62 - 6200K (LP only)  WD1 - WarmDim 14W  TW1 - Tunable White 11W  TW2 - Tunable White 19W  RGB1 - RGB 14W  RGB2 - RGB 19W 	<ul style="list-style-type: none"> LP0 - 128 LM / 1.5W FT / 90+CRI LP1 - 160 LM / 1.5W FT / 90+CRI LP2 - 255 LM / 3.0W FT / 90+CRI LP3 - 308 LM / 4.5W FT / 90+CRI LP4 - 400 LM / 5.8W FT / 90+CRI LHP - 700 LM / 7.0W FT / 95+CRI <p>Note: Not applicable for Warmdim, Tunable White and RGB color temperatures</p>	<ul style="list-style-type: none"> HW3 - Hardware 3 FT HW6 - Hardware 6 FT HW9 - Hardware 9 FT HWX - Hardware custom FT DC3 - DC plug 3 FT DC6 - DC plug 6 FT DC9 - DC plug 9 FT DCX - DC plug custom FT NO - No lead 	<ul style="list-style-type: none"> I - IP22 indoor dry location 0 - IP68 wet/damp location 	<ul style="list-style-type: none"> A - Non-dimming B - ELV dimming 120V AC C - ELV dimming 120/277 VAC** D - 0/10V dimming 120/277 VAC E - Non-dimming DC plug in F - DMX G - Lutron - HI-LUME PREMIER 0,1% Eco System 24V/96W I - Casambi CBU-A2D-0/10V-DALI-Bluetooth 100/277 VAC J - Casambi CBU-PWM4-4CH-Bluetooth 100/277 VAC K - Casambi CBU-TED-CV-Trail edge dim-Bluetooth 120 VAC NO - No driver 	<p>*The light output is provided in lumens per foot, for a CCT of 4200K and a clear lens. Please refer to the optics page for CCT and translucency conversion factors.</p> <p>** Only available in 96W - 24V Driver</p> <div style="border: 1px solid black; padding: 2px; display: inline-block;"> <p>TITLE 24 DIMMING</p> </div>
COLOR TEMPERATURE CCT	LUMEN PACKAGE	LEAD IN LEAD OUT	USAGE	POWER SUPPLY/CONTROL	



ASSEMBLY DIMENSION / DIMENSION D'ASSEMBLAGE



[mm]
inches/pouces

NOTES

