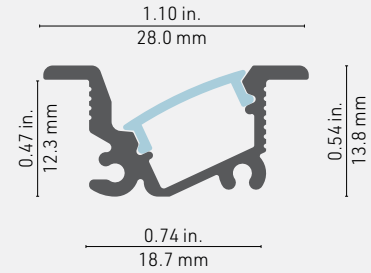


# 5450 PROFILE

5000 Series



## Cross-section dimensions:



## PERFECT FOR CABINETRY

The 5450 is a **compact recessed LED lighting profile** for cabinetry and other wood furnishing projects, directing the light beam at a **25-degree angle** which allows you to light the cabinet contents from the edge. This profile will **fit in a 5/8 inch** deep recess.

### FEATURES

- Recessed installation inside a 3/4-inch (19mm) wide and 1/2-inch (13mm) deep recess.
- Custom length by sections of 96 inches (2.44m).
- Made of ALCOA 6063-T5 aluminum alloy increasing heat dissipation.
- Its use increases the lifetime of your LED engine.
- Designed to meet North American woodworking standards.

### OPTIONS







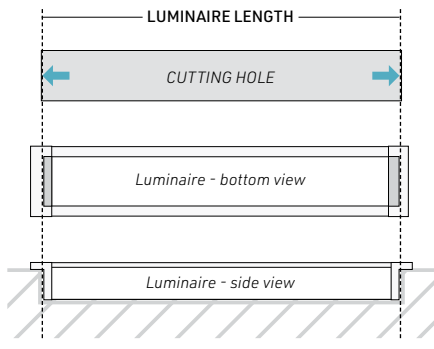
### LED ENGINE COMPATIBILITY

IP22: Compatible with LED engines up to **10mm** wide.

### LINEAR WEIGHT

0.163 lbs/ft, 0.242 kg/m (without lens)



PROFILE	LENSES	LENGTH
 <p>5450 - 5450 Profile, atu</p>	 <p>OP - Opal lens</p>  <p>PR - Prime lens</p>  <p>NO - No lens</p>	<p>Custom length by sections of 2 to 96 inches (2.44m).</p> <p><b>*NOTE:</b> Follow this diagram to calculate the correct length</p> 
<div style="border: 1px solid black; padding: 5px; display: inline-block;"><b>5450</b></div> <small>PROFILE</small>	<div style="border: 1px solid black; width: 100px; height: 15px; display: inline-block;"></div> <small>LENS</small>	<div style="border: 1px solid black; width: 100px; height: 15px; display: inline-block;"></div> <small>LENGTH</small>

5000

COLOR TEMPERATURE	LUMEN PACKAGE*	LEAD IN/OUT	USAGE	POWER SUPPLY/CONTROL	*NOTES
<ul style="list-style-type: none"> <li><span style="display: inline-block; width: 15px; height: 10px; background-color: #f4a460; border: 1px solid black; margin-right: 5px;"></span> 24 - 2400K</li> <li><span style="display: inline-block; width: 15px; height: 10px; background-color: #f4c996; border: 1px solid black; margin-right: 5px;"></span> 27 - 2700K</li> <li><span style="display: inline-block; width: 15px; height: 10px; background-color: #f4e1d9; border: 1px solid black; margin-right: 5px;"></span> 30 - 3000K</li> <li><span style="display: inline-block; width: 15px; height: 10px; background-color: #f4f2e1; border: 1px solid black; margin-right: 5px;"></span> 35 - 3500K</li> <li><span style="display: inline-block; width: 15px; height: 10px; background-color: #f4f9e1; border: 1px solid black; margin-right: 5px;"></span> 42 - 4200K</li> <li><span style="display: inline-block; width: 15px; height: 10px; background-color: #f4f9e1; border: 1px solid black; margin-right: 5px;"></span> 53 - 5300K (LHP only)</li> <li><span style="display: inline-block; width: 15px; height: 10px; background-color: #f4f9e1; border: 1px solid black; margin-right: 5px;"></span> 62 - 6200K (LP only)</li> <li><span style="display: inline-block; width: 15px; height: 10px; background-color: #f4a460; border: 1px solid black; margin-right: 5px;"></span> WD1 - WarmDim 14W</li> <li><span style="display: inline-block; width: 15px; height: 10px; background-color: #f4c996; border: 1px solid black; margin-right: 5px;"></span> TW1 - Tunable White 11W</li> <li><span style="display: inline-block; width: 15px; height: 10px; background-color: #f4e1d9; border: 1px solid black; margin-right: 5px;"></span> TW2 - Tunable White 19W</li> <li><span style="display: inline-block; width: 15px; height: 10px; background-color: #f4f2e1; border: 1px solid black; margin-right: 5px;"></span> RGB1 - RGB 14W</li> <li><span style="display: inline-block; width: 15px; height: 10px; background-color: #f4f9e1; border: 1px solid black; margin-right: 5px;"></span> RGB2 - RGB 19W</li> </ul>	<p>LP0 - 128 LM / 1.5W FT / 90+CRI</p> <p>LP1 - 160 LM / 1.5W FT / 90+CRI</p> <p>LP2 - 255 LM / 3.0W FT / 90+CRI</p> <p>LP3 - 308 LM / 4.5W FT / 90+CRI</p> <p>LP4 - 400 LM / 5.8W FT / 90+CRI</p> <p>LHP - 700 LM / 7.0W FT / 95+CRI</p> <p><b>Note:</b> Not applicable for Warmdim, Tunable White and RGB color temperatures</p>	<p>HW3 - Hardwire 3 FT</p> <p>HW6 - Hardwire 6 FT</p> <p>HW9 - Hardwire 9 FT</p> <p>HWX - Hardwire custom FT</p> <p>DC3 - DC plug 3 FT</p> <p>DC6 - DC plug 6 FT</p> <p>DC9 - DC plug 9 FT</p> <p>DCX - DC plug custom FT</p> <p>NO - No lead</p>	<p>I - IP22 indoor dry location</p>	<p>A - Non-dimming</p> <p>B - ELV dimming 120V AC</p> <p>C - ELV dimming 120/277 VAC**</p> <p>D - 0/10V dimming 120/277 VAC</p> <p>E - Non-dimming DC plug in</p> <p>F - DMX</p> <p>G - Lutron - HI-LUME PREMIER 0,1% Eco System 24V/96W</p> <p>I - Casambi CBU-A2D-0/10V-DALI-Bluetooth 100/277 VAC</p> <p>J - Casambi CBU-PWM4-4CH-Bluetooth 100/277 VAC</p> <p>K - Casambi CBU-TED-CV-Trail edge dim-Bluetooth 120 VAC</p> <p>NO - No driver</p>	<p>*The light output is provided in lumens per foot, for a CCT of 4200K and a clear lens. Please refer to the optics page for CCT and translucency conversion factors.</p> <p>** Only available in 96W - 24V Driver</p> <div style="border: 1px solid black; padding: 2px; display: inline-block; text-align: center;"> <p><b>TITLE</b> <b>24</b> <small>DATE: 08/20/2024</small></p> </div>
<small>COLOR TEMPERATURE CCT</small>	<small>LUMEN PACKAGE</small>	<small>LEAD IN      LEAD OUT</small>	<small>USAGE</small>	<small>POWER SUPPLY/CONTROL</small>	

# NOTES

