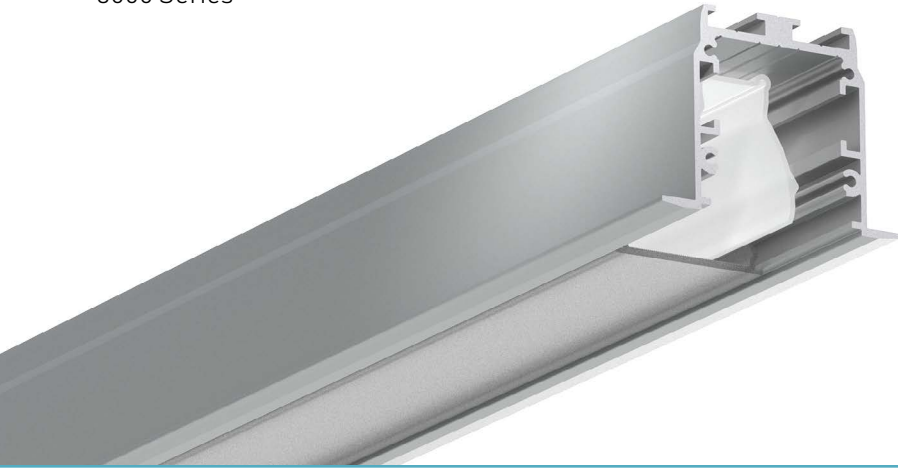
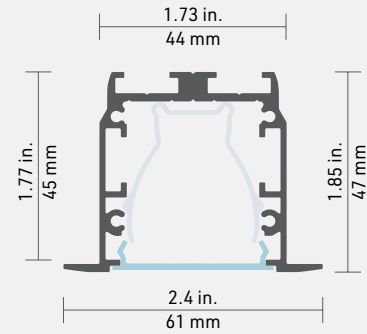


8500 PROFILE - LUXLINE 120V

8000 Series



Cross-section dimensions:



The ultimate in simplified LED lighting! The 8500 recessed profile is **designed for use with the LuxLine 120 V LED engine**. With its elegant and discreet edges, the 8500 fits perfectly and requires no plastering. Its ingenious design includes Type B grooves that allow the use of flat and 45°/135° joiners, ideal for angled fittings. It is a masterpiece in terms of ease of installation, connection and creative set-up.

FEATURES

- Alu finish (white and black available on special order).
- Custom length up to 16 feet (192 in. - 4.85 m).
- No driver needed: 120V LuxLine light source, available up to 164 ft., for use with the PVC reflector that holds it in place and provides maximum luminance.
- 4 lenses to choose from: Prime, Optiflex, Opal and Concave (flex).
- 5 color temperatures (2400 K to 4000 K).
- Spring brackets simplify installation and securely hold the extrusion in the opening.
- Overmolding options and DIY kit available.

OPTIONS







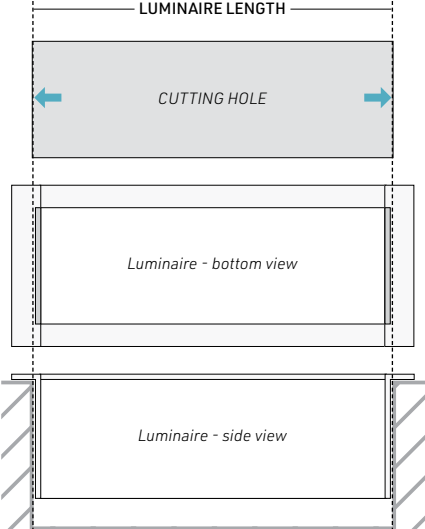
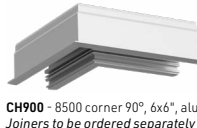



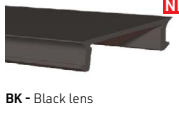

LED ENGINE COMPATIBILITY

Compatible with our LuxLine series of 120V LED engine tape.






LINEAR WEIGHT

0.73 lbs/ft, 1.084 kg/m (without lens)



PROFILE	LENSES	MOUNTING HARDWARE	OPTION	LENGTH
 <p>8500 - Series 8500, alu</p>	 <p>PR - Prime flat lens</p>	 <p>SP - Spring bracket</p>	 <p>HER - High efficiency reflector</p>	<p>Custom length by sections of 6 to 192 inches (4.8m).</p> <p>*NOTE: Follow this diagram to calculate the correct length</p> 
 <p>CH900 - 8500 corner 90°, 6x6", alu. <i>Joiners to be ordered separately</i></p>	 <p>OP - Opal flat lens</p>	 <p>NO - No mounting hardware</p>		
<p>QUANTITY</p>  <p>JS - Type B straight joiner</p>	 <p>BK - Black lens</p>	 <p>NO - No Lenses</p>		
<p>QUANTITY</p>				

8500			HER	
PROFILE	LENS	MOUNTING HARDWARE	OPTION	LENGTH

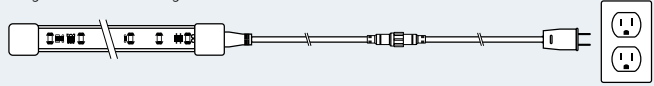
COLOR TEMPERATURE	LUMEN PACKAGE*	LEAD IN	USAGE	NOTES
 24 - 2400K  27 - 2700K  30 - 3000K  35 - 3500K  42 - 4000K	<p>LUX - 350 LM / 4.0W FT / 90+CRI</p>	<p>PG - Plug-in 47"</p> <p>HW - Hardwire 118"</p>	<p>2 - IP64 indoor</p>	<p>* The light output is provided in lumens per foot, for a CCT of 4200K and a clear lens.</p>
COLOR TEMPERATURE CCT	LUX	LEAD IN	IP64	
	LUMEN PACKAGE		IP RATING	

LUXLINE FEATURES

- LumenTruss Driverless technology.
- Direct line voltage.
- Constant voltage with constant current design providing uniform intensity over the entire run.
- Uses North American power plug with built-in fuse or hardwire.
- Order in lengths of 1 FT.
- 164 FT maximum run.
- High lumen output.
- Architectural grade.
- PVC coating (not recommended for direct sunlight).
- 3 year warranty.
- LED type: 3056
- WARNING: Do not cut AC plug.

LUXLINE FEATURES

Plug-in Connection Diagram



Hardwire Connection Diagram

With the NEW revolutionary hardwire connection with built-in fuse! Exclusive to LumenTruss.

