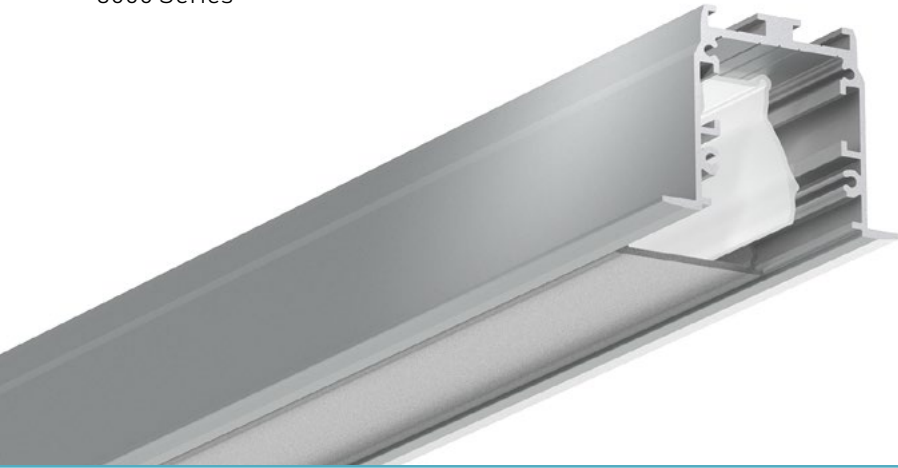
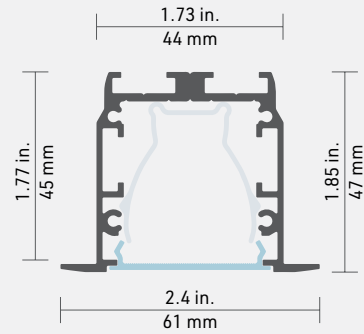


8500 PROFILE - LUXLINE 120V

8000 Series



Cross-section dimensions:



The ultimate in simplified LED lighting! The 8500 recessed profile is **designed for use with the LuxLine 120 V LED engine**. With its elegant and discreet edges, the 8500 fits perfectly and requires no plastering. Its ingenious design includes Type B grooves that allow the use of flat and 45°/135° joiners, ideal for angled fittings. It is a masterpiece in terms of ease of installation, connection and creative set-up.

FEATURES

- Alu finish (white and black available on special order).
- Custom length up to 16 feet (192 in. - 4.85 m).
- No driver needed: 120V LuxLine light source, available up to 164 ft., for use with the PVC reflector that holds it in place and provides maximum luminance.
- 4 lenses to choose from: Prime, Optiflex, Opal and Concave (flex).
- 5 color temperatures (2400 K to 4000 K).
- Spring brackets simplify installation and securely hold the extrusion in the opening.
- Overmoulding options and DIY kit available.

OPTIONS










LED ENGINE COMPATIBILITY

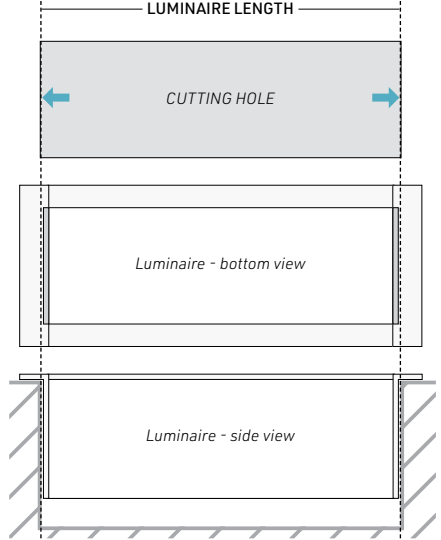
Compatible with LED engines up to **14mm** wide.

LINEAR WEIGHT


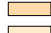
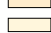


0.73 lbs/ft, 1.084 kg/m (without lens)



PROFILE	LENSES	MOUNTING HARDWARE	OPTION	LENGTH
 <p>8500 - Profile, Alu</p>	 <p>PR - Prime flat lens</p>  <p>OP - Opal flat lens</p>  <p>NO - No Lenses</p>	 <p>SP - Spring bracket</p>  <p>NO - No mounting hardware</p>	 <p>HER - High efficiency reflector</p>	<p>Custom length by sections of 6 to 192 inches (4.8m).</p> <p>*NOTE: Follow this diagram to calculate the correct length</p>



8500	-	-	-	HER	-	-
PROFILE		LENS	MOUNTING HARDWARE	OPTION		LENGTH

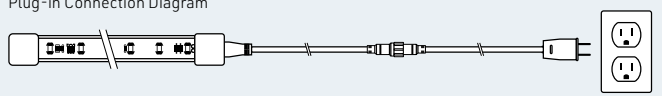
COLOR TEMPERATURE	LUMEN PACKAGE*	LEAD IN/OUT	JUMPER	USAGE	*NOTES
 24 - 2400K  27 - 2700K  30 - 3000K  35 - 3500K  42 - 4000K	<p>LUX - 350 LM / 4.0W FT / 90+CRI</p>	<p>PG - Plug-in 47"</p> <p>HW - Hardwire 118"</p>	<p>JP6 - Jumper 6"</p> <p>JP12 - Jumper 12"</p> <p>NO - No jumper</p>	<p>2 - IP65 indoor</p>	<p>The light output is provided in lumens per foot, for a CCT of 4200K and a clear lens. Please refer to the optics page for CCT and translucency conversion factors.</p> <div style="border: 1px solid black; padding: 2px; display: inline-block;"> <p>TITLE 24 <small>lumens/foot</small></p> </div>
COLOR TEMPERATURE CCT	LUX	LEAD IN LEAD OUT	JUMPER QTY	IP65	

LUXLINE FEATURES

- LumenTruss Driverless technology.
- Direct line voltage.
- Constant current IC providing uniform intensity over the entire run.
- Uses North American power plug with built-in fuse or hardwire.
- Order in lengths of 1 FT.
- 164 FT maximum run.
- Ultra high lumen output.
- Architectural grade.
- PVC coating (not recommended for direct sunlight).
- 3 year warranty.
- Life of 50,000 hours
- LED type: 3056
- WARNING: Do not cut AC plug.


LUXLINE FEATURES

Plug-in Connection Diagram



Hardwire Connection Diagram

With the NEW revolutionary hardwire connection with built-in fuse! Exclusive to LumenTruss.



NOTES

