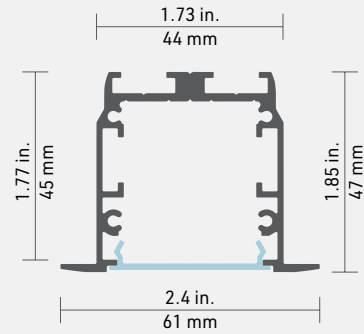


# 8500 PROFILE - REGULAR LED ENGINE

8000 Series



## Cross-section dimensions:



The ultimate in simplified LED lighting! The 8500 recessed profile is designed for use with standard and HOS LED engines. With its elegant and discreet edges, the 8500 fits perfectly and requires no plastering. Its ingenious design includes Type B grooves that allow the use of flat and 45°/135° joiners, ideal for angled fittings. **It is a masterpiece in terms of ease of installation, luminous intensity and creative set-up.**

## FEATURES

- Alu finish (white and black available on special order).
- Custom length up to 16 feet (192 in. - 4.85 m).
- Choice of standard or high power (HOS) LED engines to be used with or without PVC reflector, depending on whether the LED strip will be installed in the centre (single row) or in two rows (side by side).
- 4 lenses to choose from: Prime, Optiflex, Opal and Concave (flex).
- 6 color temperatures (2400 K to 6200 K).
- Spring brackets simplify installation and securely hold the extrusion in the opening.

## OPTIONS

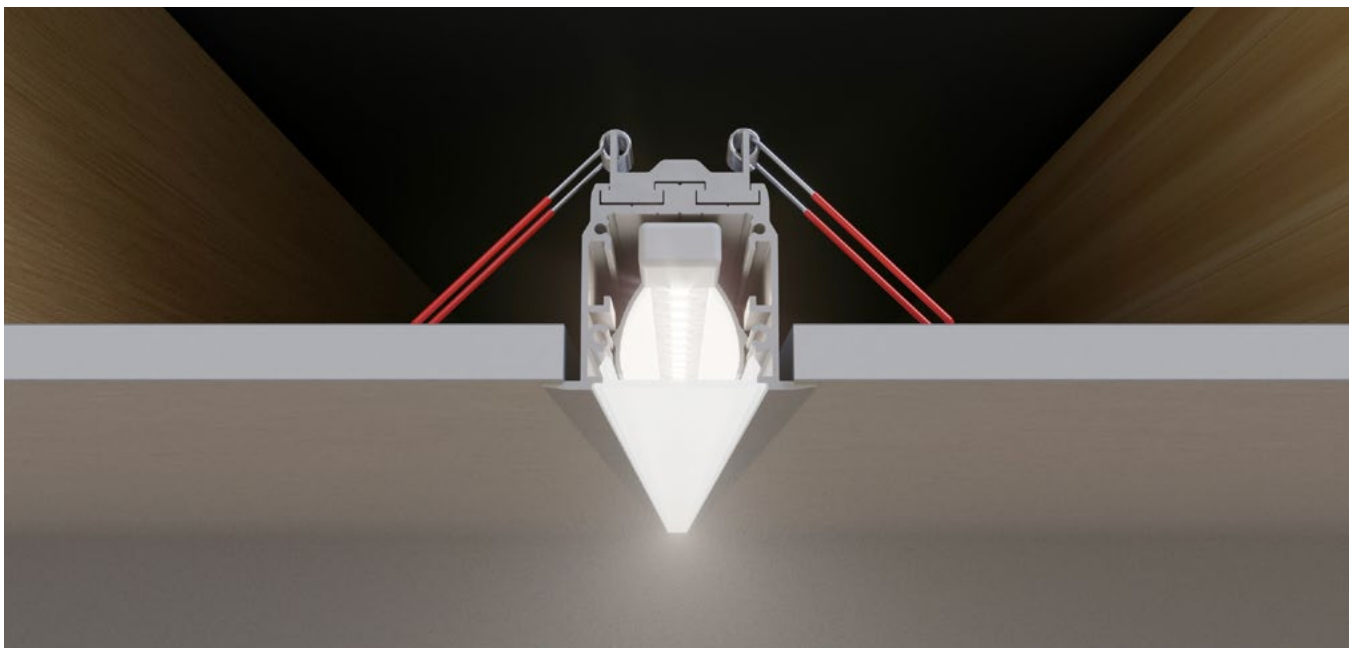









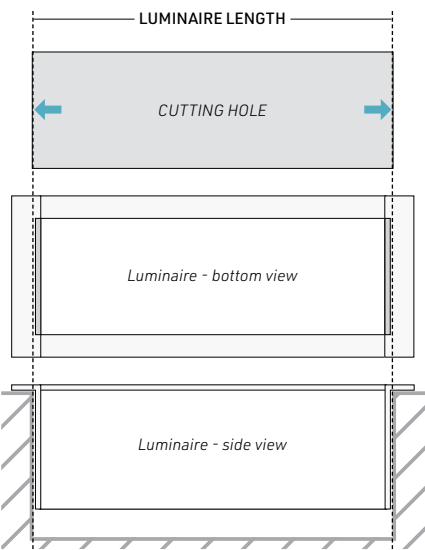
## LED ENGINE COMPATIBILITY

Compatible with LED engines up to **14mm** wide.




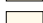












## LINEAR WEIGHT

0.73 lbs/ft, 1.084 kg/m (without lens)



PROFILE	LENSES	MOUNTING HARDWARE	OPTION	LENGTH
 <p><b>8500</b> - Profile, Alu</p>	 <p><b>PR</b> - Prime flat lens</p>  <p><b>OX</b> - Optiflex flat lens</p>  <p><b>OP</b> - Opal flat lens</p>  <p><b>OXC</b> - Optiflex concave lens</p> <p><b>NO</b> - No Lenses</p>	 <p><b>SP</b> - Spring bracket</p> <p><b>NO</b> - No mounting hardware</p>	 <p><b>HER</b> - High efficiency reflector</p> <p><b>NO</b> - No option</p>	<p>Custom length by sections of 2 to 192 inches (4.8m).</p> <p><b>*NOTE:</b> Follow this diagram to calculate the correct length</p> 

<b>8500</b>				
PROFILE	LENS	MOUNTING HARDWARE	OPTION	LENGTH

COLOR TEMPERATURE	LUMEN PACKAGE**	LEAD IN/OUT	USAGE	POWER SUPPLY/CONTROL	*NOTES
<ul style="list-style-type: none"> <li> 24 - 2400K</li> <li> 27 - 2700K</li> <li> 30 - 3000K</li> <li> 35 - 3500K</li> <li> 42 - 4200K</li> <li> 53 - 5300K (LHP only)</li> <li> 62 - 6200K (LP only)</li> <li> <b>WD1</b> - WarmDim 14W</li> <li> <b>WD2</b> - WarmDim 17W</li> <li> <b>TW1</b> - Tunable White 11W</li> <li> <b>TW2</b> - Tunable White 19W</li> <li> <b>RGB1</b> - RGB 14W</li> <li> <b>RGB2</b> - RGB 19W</li> <li> <b>RGBW1</b> - 3000K</li> <li> <b>RGBW2</b> - 3000K 4in1</li> </ul>	<p><b>LP0</b> - 128 LM / 1.5W FT / 90+CRI</p> <p><b>LP1</b> - 160 LM / 1.5W FT / 90+CRI</p> <p><b>LP2</b> - 255 LM / 3.0W FT / 90+CRI</p> <p><b>LP3</b> - 308 LM / 4.5W FT / 90+CRI</p> <p><b>LP4</b> - 400 LM / 5.8W FT / 90+CRI</p> <p><b>LHP</b> - 700 LM / 7.0W FT / 95+CRI</p> <p><b>Note:</b> Not applicable for Warmdim Tunable White &amp; RGB color temperatures</p>	<p><b>HW3</b> - Hardwire 3 FT</p> <p><b>HW6</b> - Hardwire 6 FT</p> <p><b>HW9</b> - Hardwire 9 FT</p> <p><b>HWX</b> - Hardwire custom FT</p> <p><b>DC3</b> - DC plug 3 FT</p> <p><b>DC6</b> - DC plug 6 FT</p> <p><b>DC9</b> - DC plug 9 FT</p> <p><b>DCX</b> - DC plug custom FT</p> <p><b>SUS</b> - Coaxial wire 15 Ft</p> <p><b>NO</b> - No lead</p>	<p><b>I</b> - IP22 indoor dry location</p>	<p><b>A</b> - Non-dimming</p> <p><b>B</b> - ELV dimming 120V AC</p> <p><b>C</b> - ELV dimming 120/277 VAC***</p> <p><b>D</b> - 0/10V dimming 120/277 VAC</p> <p><b>E</b> - Non-dimming DC plug in</p> <p><b>F</b> - DMX</p> <p><b>G</b> - Lutron - HI-LUME PREMIER 0,1% Eco System 24V/96W</p> <p><b>I</b> - Casambi CBU-A2D-0/10V-DALI-Bluetooth 100/277 VAC</p> <p><b>J</b> - Casambi CBU-PWM4-4CH-Bluetooth 100/277 VAC</p> <p><b>K</b> - Casambi CBU-TED-CV-Trail edge dim-Bluetooth 120 VAC</p> <p><b>NO</b> - No driver</p>	<p>* The light output is provided in lumens per foot, for a CCT of 4200K and a clear lens. Please refer to the optics page for CCT and translucency conversion factors.</p> <p>** By default both Up &amp; Down LED engines are controlled from one source. For custom options, please contact your local representative.</p> <p>***Only available in 96W - 24W Driver</p> 

SINGLE-STRIP 1	DOUBLE-STRIP 2*	SINGLE-STRIP 1	DOUBLE-STRIP 2*	LEAD IN	LEAD OUT	<b>I</b>	POWER SUPPLY/CONTROL
----------------	-----------------	----------------	-----------------	---------	----------	----------	----------------------

# NOTES

