

LED ENGINE

# NEON SLEEVE SERIES

Highly durable, flexible,  
Uniform pixel free light!

# 340 FLEX

(LM21037-70)

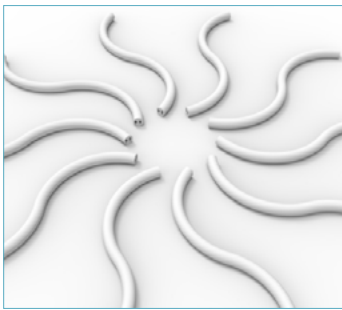


## FEATURES

- Professional structure design, uniform soft light, no spots, consistent color temperature.
- Attractive modern look for wide variety of applications.
- Silicone material, resistant to yellowing and high temperature, can be used outdoors.
- Soft, flexible, easy modeling and tensile resistance.

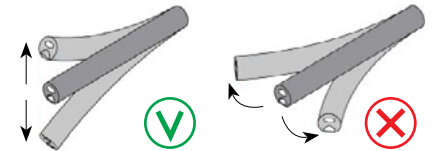
## TECHNICAL SPECIFICATIONS

- LED Strip Compatibility up to 5mm wide
- Sleeve Diameter 13mm / 0.51in
- IP Grade IP65
- Min. Bending Diameter 200mm / 8in
- Min. Inner Coil Diameter 300mm / 12in
- Operating Temperature -20 to 50°C
- Beam Angle 320°



## IMPORTANT

The sleeve can be bent only in the direction perpendicular to the LED strip tape!



## TO ORDER

SLEEVE TYPE	BRACKET	LENGTH	CCT	LUMEN PACKAGE*	LEAD IN / OUT	USAGE	POWER SUPPLY TYPE
340F - 340 Flex	FL - Flat bracket	<b>Total length in inches</b> Max. length = 196in (5m)	<div style="display: flex; flex-direction: column; gap: 5px;"> <div style="display: flex; align-items: center;"><span style="width: 15px; height: 10px; background-color: #f4a460; border: 1px solid black;"></span> 27 - 2700K*</div> <div style="display: flex; align-items: center;"><span style="width: 15px; height: 10px; background-color: #f4c480; border: 1px solid black;"></span> 30 - 3000K</div> <div style="display: flex; align-items: center;"><span style="width: 15px; height: 10px; background-color: #f4e460; border: 1px solid black;"></span> 35 - 3500K**</div> <div style="display: flex; align-items: center;"><span style="width: 15px; height: 10px; background-color: #f4f440; border: 1px solid black;"></span> 42 - 4200K**</div> <div style="display: flex; align-items: center;"><span style="width: 15px; height: 10px; background-color: #f4f440; border: 1px solid black;"></span> 62 - 6200K**</div> </div> <p style="font-size: small; margin-top: 5px;">* Only available for LP1 ** Only available for LP3</p>	LP1 - 160 LM/1.5WFT/90+CRI LP3 - 308 LM/4.5W FT/90+CRI	HW3F - Hardwire 3ft, front HW6F - Hardwire 6ft, front HW9F - Hardwire 9ft, front HWXF - Hardwire N ft, front DC3F - DC plug 3ft, front DC6F - DC plug 6ft, front DC9F - DC plug 9ft, front DCXF - DC plug N ft, front	I - IP65 dry and damp locations	A - No dimming B - ELV dimming 120V AC C - ELV dimming 120/277V AC D - 0/10V dimming 120/277V AC E - No dimming DC plug in NO - No driver
<b>340F</b>	<b>FL</b>					<b>I</b>	
SLEEVE TYPE	MOUNTING HARDWARE	LENGTH	COLOUR TEMP.	LUMEN PACKAGE	LEAD IN LEAD OUT	USAGE	POWER SUPPLY TYPE

\*NOTE: The light output is provided in lumens per foot, for a CCT of 4200K and a clear lens. Please refer to the optics page for CCT and translucency conversion factors



1-855-384-3384  
www.lumentruss.com  
info@lumentruss.com

We reserve the right to change specifications without prior notification. Last update: June 23, 2020

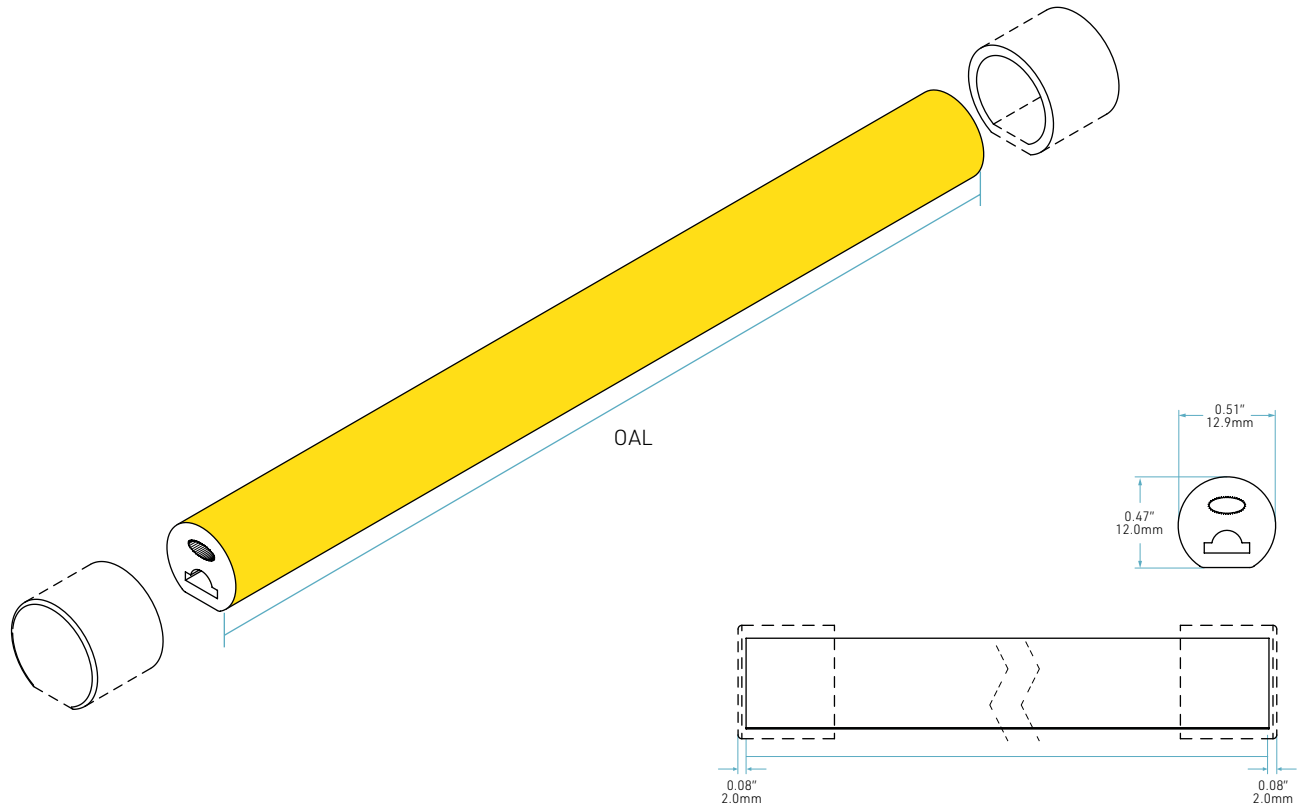
# 340 FLEX

## DIMENSIONS

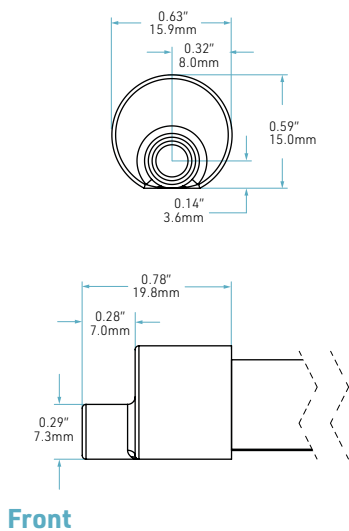
Company:  
Project:  
Reference Type:  
Quantity:  
Date:  
Approved by:

OAL:

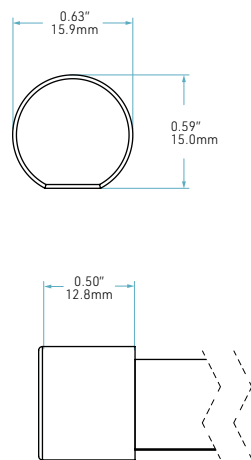
OAL (overall length including end caps): inches  
\*Must not exceed 196in / 5m per unit



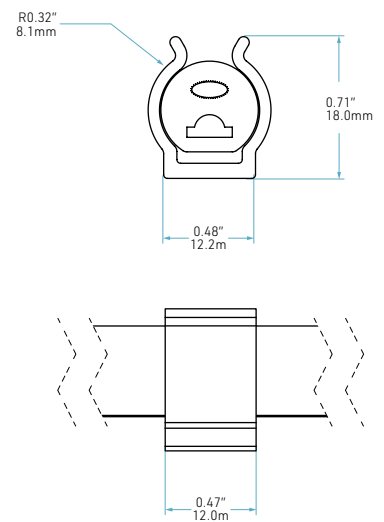
### END CAPS



### Closed



### CLIP BRACKET



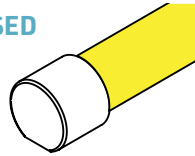
# 340 FLEX

## WIREWAY

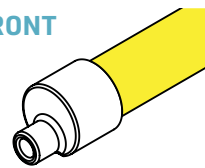
Company:  
Project:  
Reference Type:  
Quantity: OAL:  
Date:  
Approved by:

### END CAP TYPES:

CLOSED



FRONT



### LAYOUT OPTIONS

INPUT

OUTPUT

