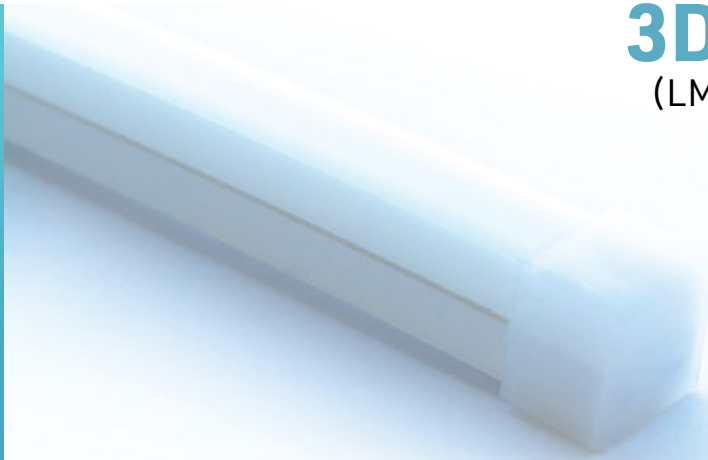


LED ENGINE

NEON SLEEVE SERIES

Highly durable, flexible, Uniform pixel free light!

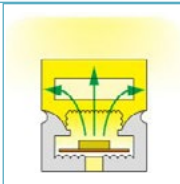


FEATURES

- Professional structure design, uniform soft light, no spots, consistent color temperature.
- Attractive modern look for wide variety of applications.
- Silicone material, resistant to yellowing and high temperature, can be used outdoors.
- Soft, flexible, easy modeling and tensile resistance.

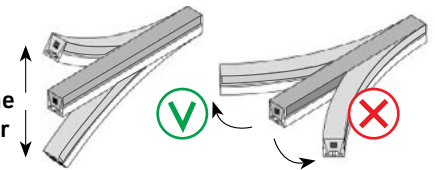
TECHNICAL SPECIFICATIONS

- LED Strip Compatibility up to 8mm wide
- Sleeve Width 12mm / 0.47in
- Sleeve Thickness 12mm / 0.47in
- IP Grade IP65
- Min. Bending Diameter 300mm / 12in
- Min. Inner Coil Diameter 400mm / 15in
- Operating Temperature -20 to 50°C
- Beam Angle 120°



IMPORTANT: CONTAINS FRAGILE ELECTRONIC COMPONENTS

- Respect min. bending radius
- Do not fold
- Do not twist
- Do not pierce
- Can only be bent in the direction perpendicular to the LED tape



TO ORDER

SLEEVE TYPE	BRACKET	LENGTH	CCT	LUMEN PACKAGE*	LEAD IN / OUT	USAGE	POWER SUPPLY TYPE
3DF - 3D Flex	FL - Flat bracket	Total length in inches Max. length = 196in (5m)	<div style="display: flex; flex-direction: column; gap: 5px;"> <div style="width: 15px; height: 10px; background-color: #e67e22; border: 1px solid #ccc;"></div> 24 - 2400K <div style="width: 15px; height: 10px; background-color: #f1c40f; border: 1px solid #ccc;"></div> 27 - 2700K <div style="width: 15px; height: 10px; background-color: #f1c40f; border: 1px solid #ccc;"></div> 30 - 3000K <div style="width: 15px; height: 10px; background-color: #f1c40f; border: 1px solid #ccc;"></div> 35 - 3500K <div style="width: 15px; height: 10px; background-color: #f1c40f; border: 1px solid #ccc;"></div> 42 - 4200K <div style="width: 15px; height: 10px; background-color: #f1c40f; border: 1px solid #ccc;"></div> 62 - 6200K </div>	LP1 - 160 LM/1.5WFT/90+CRI LP2 - 255 LM/3.0W FT/90+CRI LP3 - 308 LM/4.5W FT/90+CRI	HW3F - Hardwire 3ft, front HW3S - Hardwire 3ft, side HW6F - Hardwire 6ft, front HW6S - Hardwire 6ft, side HW9F - Hardwire 9ft, front HW9S - Hardwire 9ft, side HWXF - Hardwire N ft, front HWXS - Hardwire N ft, side DC3F - DC plug 3ft, front DC3S - DC plug 3ft, side DC6F - DC plug 6ft, front DC6S - DC plug 6ft, side DC9F - DC plug 9ft, front DC9S - DC plug 9ft, side DCXF - DC plug N ft, front DCXS - DC plug N ft, side	I - IP65 dry and damp locations	A - No dimming B - ELV dimming 120V AC C - ELV dimming 120/277V AC D - 0/10V dimming 120/277V AC E - No dimming DC plug in NO - No driver
3DF	FL					I	
SLEEVE TYPE	MOUNTING HARDWARE	LENGTH	COLOUR TEMP.	LUMEN PACKAGE	LEAD IN LEAD OUT	USAGE	POWER SUPPLY TYPE

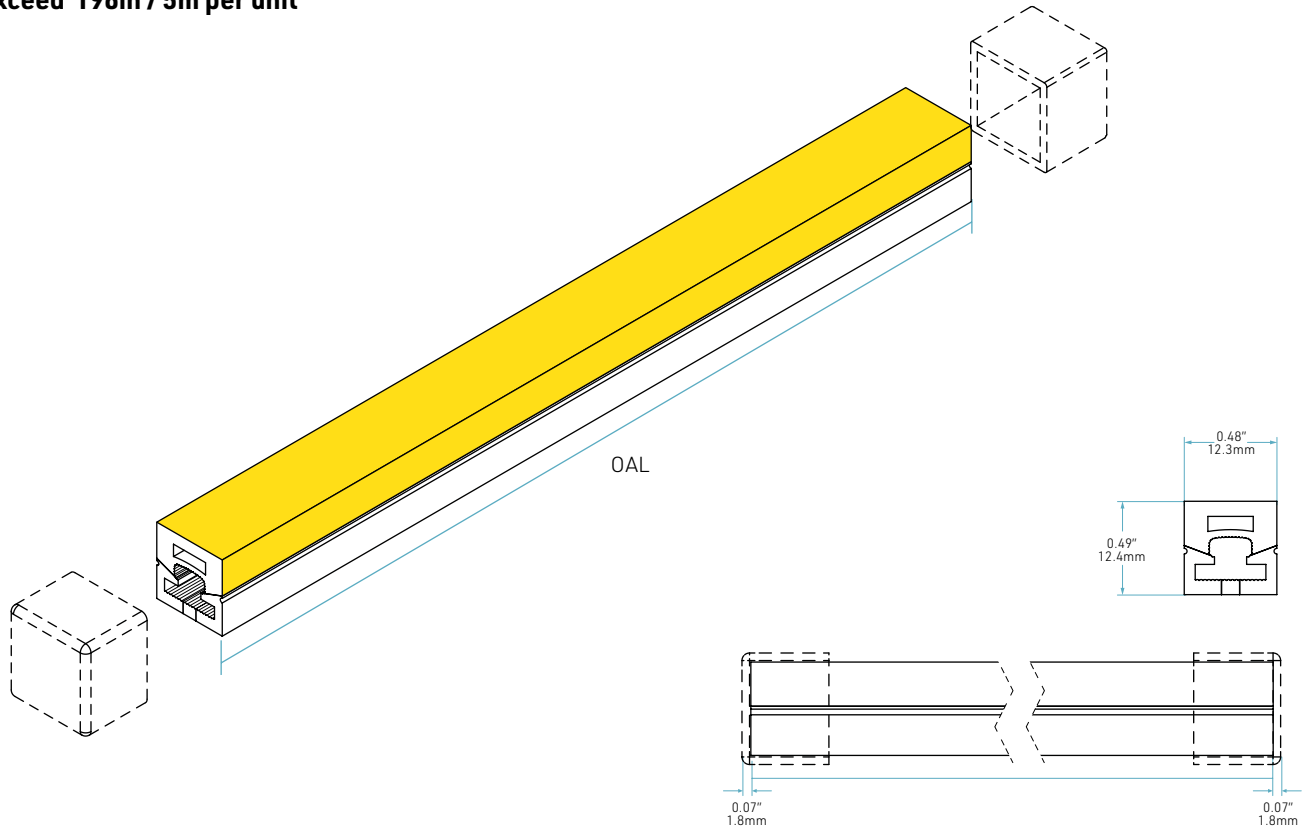
*NOTE: The light output is provided in lumens per foot, for a CCT of 4200K and a clear lens. Please refer to the optics page for CCT and translucency conversion factors

3D FLEX

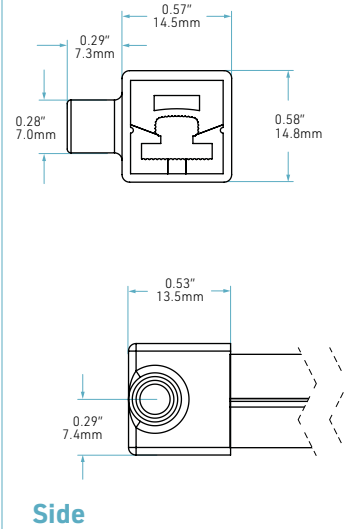
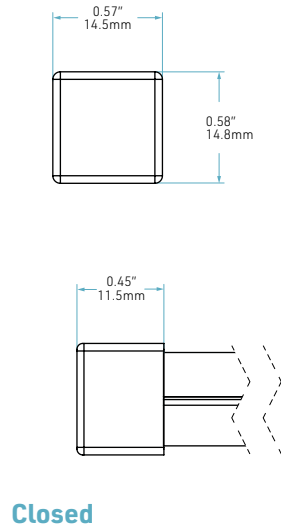
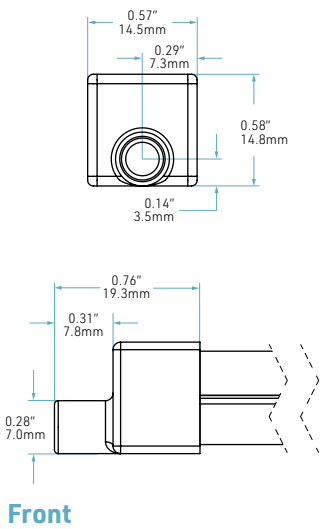
DIMENSIONS

Company:
 Project:
 Reference Type:
 Quantity:
 Date:
 Approved by: OAL:

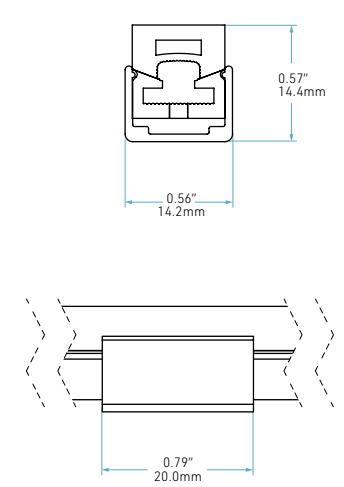
OAL (overall length including end caps): **inches**
***Must not exceed 196in / 5m per unit**



END CAPS



CLIP BRACKET



3D FLEX

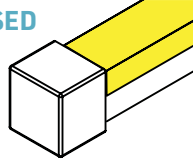
WIREWAY

Company:
Project:
Reference Type:
Quantity:
Date:
Approved by:

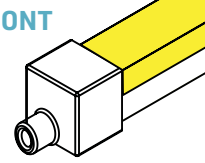
OAL:

END CAP TYPES:

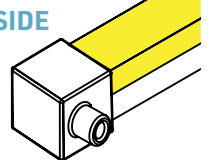
CLOSED



FRONT



SIDE



LAYOUT OPTIONS (UPLIGHT)

INPUT

OUTPUT

