

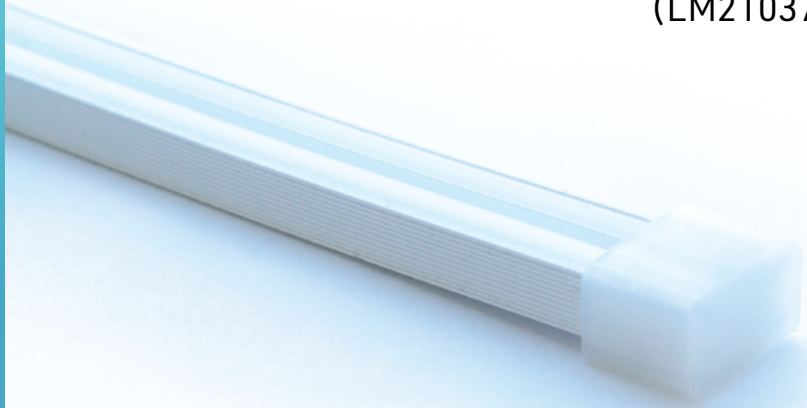
MINI SIDE FLEX

(LM21037-50)

LED ENGINE

NEON SLEEVE SERIES

Highly durable, flexible,
Uniform pixel free light!

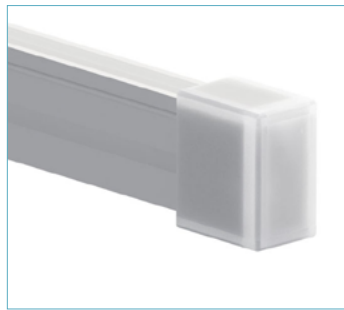
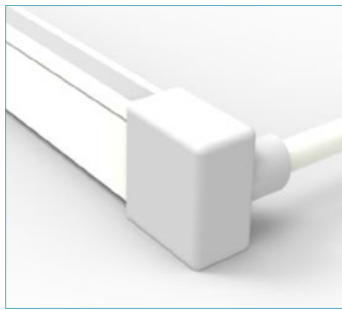
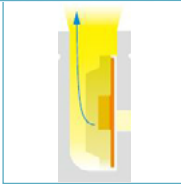


FEATURES

- Professional structure design, uniform soft light, no spots, consistent color temperature.
- Attractive modern look for wide variety of applications.
- Silicone material, resistant to yellowing and high temperature, can be used outdoors.
- Soft, flexible, easy modeling and tensile resistance.

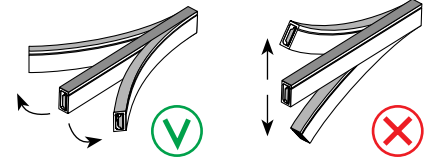
TECHNICAL SPECIFICATIONS

- LED Strip Compatibility up to 8mm wide
- Sleeve Width 12mm / 0.47in
- Sleeve Thickness 6mm / 0.24in
- IP Grade IP65
- Min. Bending Diameter 180mm / 7in
- Min. Inner Coil Diameter 250mm / 10in
- Operating Temperature -20 to 50°C
- Beam Angle 120°



IMPORTANT

The sleeve can be bent only in the direction perpendicular to the LED strip tape!



TO ORDER

SLEEVE TYPE	BRACKET	LENGTH	CCT	LUMEN PACKAGE*	LEAD IN / OUT	USAGE	POWER SUPPLY TYPE
MSF - Mini Side Flex	FL - Flat bracket	Total length in inches Max. length = 196in (5m)	<div style="display: flex; flex-direction: column; gap: 5px;"> <div style="display: flex; align-items: center;"> 24 - 2400K</div> <div style="display: flex; align-items: center;"> 27 - 2700K</div> <div style="display: flex; align-items: center;"> 30 - 3000K</div> <div style="display: flex; align-items: center;"> 35 - 3500K</div> <div style="display: flex; align-items: center;"> 42 - 4200K</div> <div style="display: flex; align-items: center;"> 62 - 6200K</div> </div>	LP1 - 160 LM/1.5WFT/90+CRI LP2 - 255 LM/3.0W FT/90+CRI LP3 - 308 LM/4.5W FT/90+CRI	HW3F - Hardwire 3ft, front HW3S - Hardwire 3ft, side HW6F - Hardwire 6ft, front HW6S - Hardwire 6ft, side HW9F - Hardwire 9ft, front HW9S - Hardwire 9ft, side HWXF - Hardwire N ft, front HWXS - Hardwire N ft, side DC3F - DC plug 3ft, front DC3S - DC plug 3ft, side DC6F - DC plug 6ft, front DC6S - DC plug 6ft, side DC9F - DC plug 9ft, front DC9S - DC plug 9ft, side DCXF - DC plug N ft, front DCXS - DC plug N ft, side	I - IP65 dry and damp locations	A - No dimming B - ELV dimming 120V AC C - ELV dimming 120/277V AC D - 0/10V dimming 120/277V AC E - No dimming DC plug in NO - No driver
MSF	FL					I	
SLEEVE TYPE	MOUNTING HARDWARE	LENGTH	COLOUR TEMP.	LUMEN PACKAGE	LEAD IN LEAD OUT	USAGE	POWER SUPPLY TYPE

*NOTE: The light output is provided in lumens per foot, for a CCT of 4200K and a clear lens. Please refer to the optics page for CCT and translucency conversion factors



1-855-384-3384
www.lumentruss.com
info@lumentruss.com

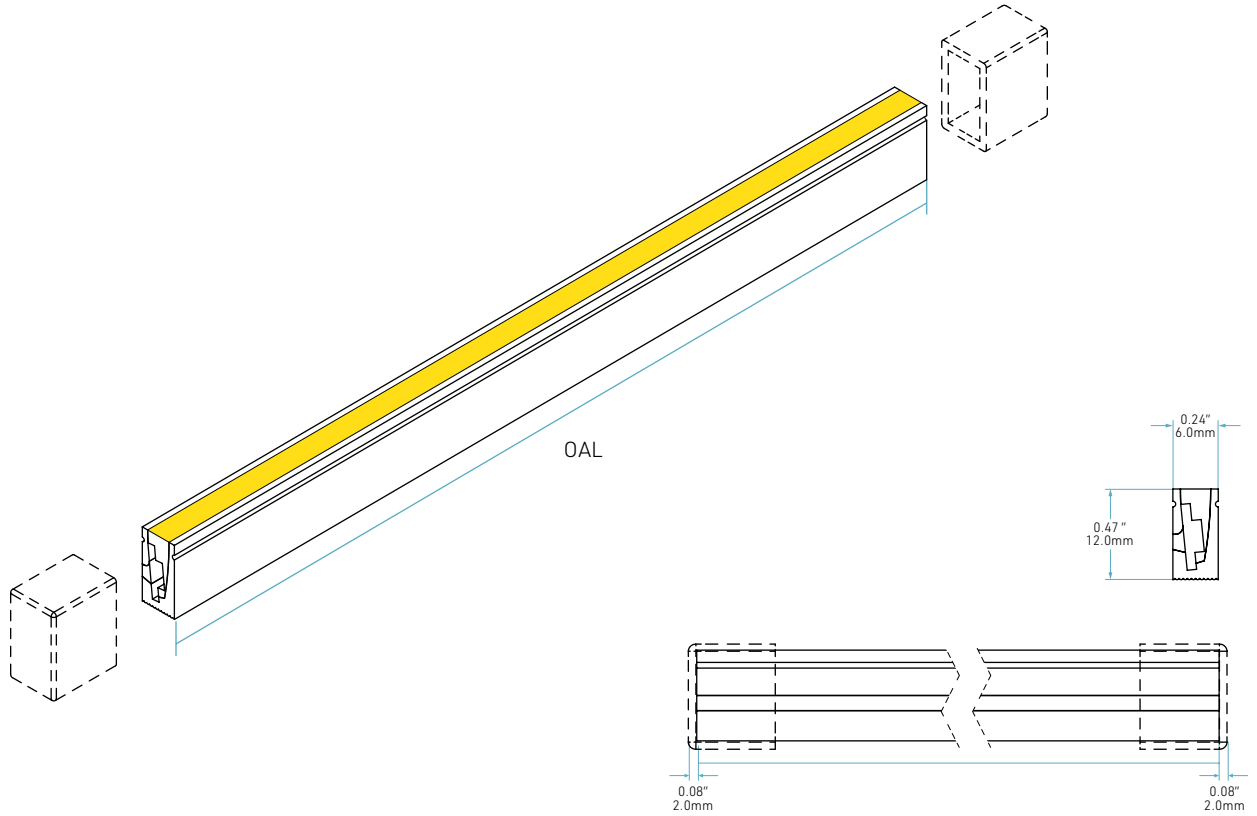
We reserve the right to change specifications without prior notification. Last update: June 23, 2020

MINI SIDE FLEX

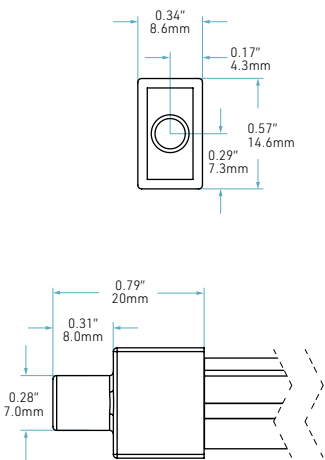
DIMENSIONS

Company:
 Project:
 Reference Type:
 Quantity:
 Date:
 Approved by: OAL:

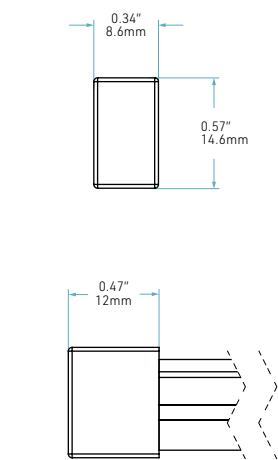
OAL (overall length including end caps): inches
***Must not exceed 196in / 5m per unit**



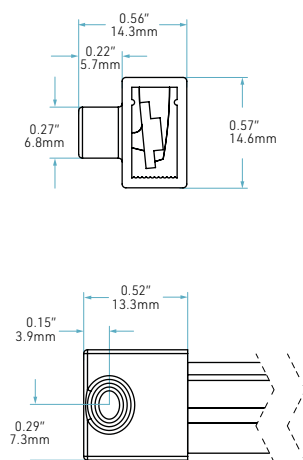
END CAPS



Front

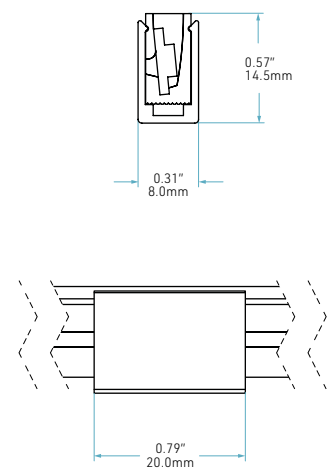


Closed



Side

CLIP BRACKET



MINI SIDE FLEX

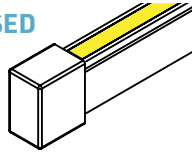
WIREWAY

Company:
Project:
Reference Type:
Quantity:
Date:
Approved by:

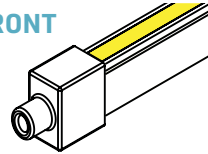
OAL:

END CAP TYPES:

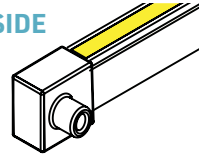
CLOSED



FRONT



SIDE



LAYOUT OPTIONS

INPUT

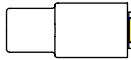
OUTPUT



CLOSED



FRONT



FRONT



CLOSED



CLOSED



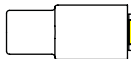
SIDE



SIDE



CLOSED



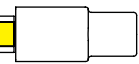
FRONT



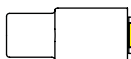
FRONT



SIDE



FRONT



FRONT



SIDE



SIDE



SIDE

