

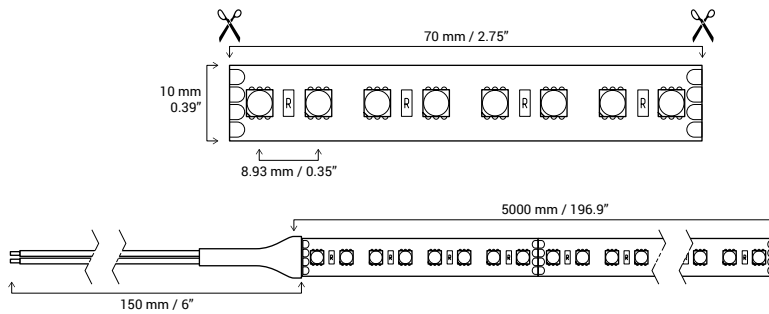
# B3535-24V-112-10mm-19.2W-RGB-IP22/IP68

## Specification Sheet



### PHYSICAL

Product Type	Flexible LED Strip		
SMD Type	3535		
Strip Width	3/8 in	10 mm (IP22)	12 mm (IP68)
Strip Total Length (Roll)	16.4 ft	5 m	
LED Linear Density	34 LED/ft	112 LED/m	640 LED/roll total
Can be cut at every	2.5 in	62.5 mm	8 LED
Storage Temperature	-40°C to +80°C	Operating Temperature	-25°C to +40°C
Lifespan	50 000 Hrs		



Electrical Input

Rated Power (Max.)

CONSTANT  
VOLTAGE**24V DC****96 W/roll**

### ELECTRICAL

Input Type	DC, Constant Voltage		
Input Voltage	24V DC		
<b>Rated Power (Max.)</b>	<b>5.9 W/ft</b>	<b>19.2 W/m</b>	<b>96 W/roll total</b>

### PRODUCT RANGE

Part Number	Code	IP	CCT	RED	Flux RGB Ratio, %							
					GREEN			BLUE				
B3535-24V-128-10mm-19.2W-RGB-IP22	LM28335	IP22	RGB	R=95.0	G=5.0	B=0.0	R=0.3	G=99.0	B=0.7	R=0.0%	G=17.0	B=83.0
B3535-24V-128-10mm-19.2W-RGB-IP68	LM28335-01	IP68										

CCT\* - Correlated Color Temperature  
 CRI\*\* - Colour Rendering Index  
 duv\*\*\* - Black-body Curve Deviation

Office & Showroom:  
 9221, rue Edison, Montreal, Quebec, H1J 1T4, Canada

Toll Free: 1-855-384-3384  
 E-mail: info@lumentruss.com  
 www.lumentruss.com

Copyright Lumentruss, All Rights Reserved  
 Lumentruss reserves the right to make changes to this product  
 without advance notice, and any such change shall be effective immediately

# B3535-24V-128-10mm-19.2W-RGB-IP22/IP68

## Test Data for 1 Meter LED Strip Length (RED)



### Chroma Parameters

Chromaticity Coordinates:  $x=0.6929, y=0.3065, u=0.5237, v=0.3475, duv=-0.0007$   
 Correlated Color Temperature: 1333K  
 Dominant Wave.: 620.9nm  
 Purity: 99.9%  
 Flux RGB Ratio: R=95.0%, G=5.0%, B=0.0%  
 Peak Wave: 631.2nm  
 Half Width: 16.2nm

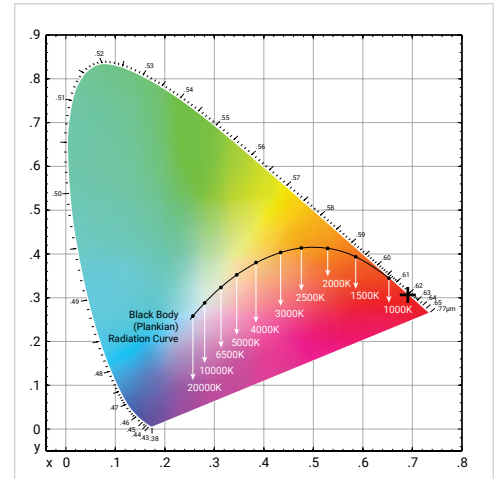
### Rendering Index: Ra=-9.7

R1=-41 R2=49 R3=28 R4=-50 R5=-18 R6=59 R7=-3 R8=-88  
 R9=-291 R10=35 R11=-68 R12=30 R13=-20 R14=51 R15=-64

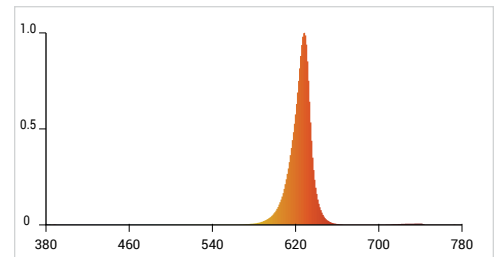
### Photo Parameters

Luminous Flux: 315.15 lm  
 Luminous Efficacy: 52.5 lm/W

C.I.E. 1931 Chromaticity Diagram



Spectral Ratio: R=95.0%, G=5.0%, B=0.0%



# B3535-24V-128-10mm-19.2W-RGB-IP22/IP68

## Test Data for 1 Meter LED Strip Length (GREEN)



### Chroma Parameters

Chromaticity Coordinates:  $x=0.1356, y=0.7200, u=0.0477, v=0.3800, duv=0.1665$   
 Correlated Color Temperature: 8432K  
 Dominant Wave.: 520.4nm  
 Purity: 77.3%  
 Flux RGB Ratio: R=0.3%, G=99.0%, B=0.7%  
 Peak Wave: 516.6nm  
 Half Width: 29.5nm

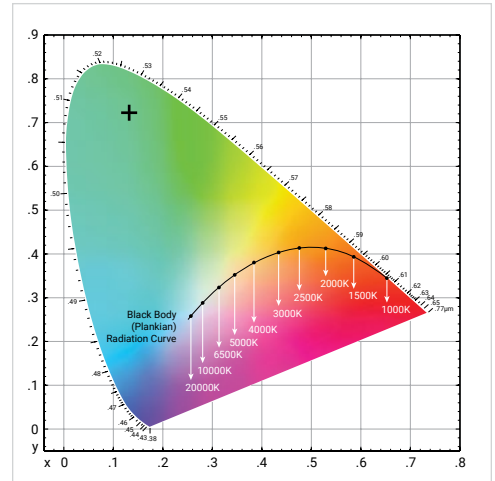
### Rendering Index: Ra=-25.9

R1=-33 R2=-9 R3=-27 R4=-67 R5=-12 R6=-20 R7=-5 R8=-27  
 R9=-351 R10=-108 R11=-95 R12=-34 R13=-40 R14=36 R15=-29

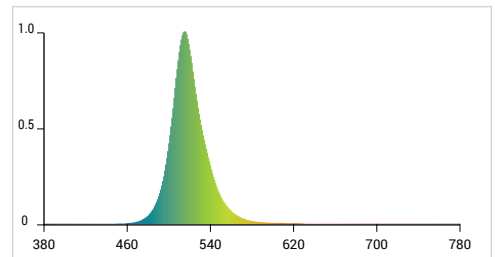
### Photo Parameters

Luminous Flux: 700.55 lm  
 Luminous Efficacy: 116.7 lm/W

C.I.E. 1931 Chromaticity Diagram



Spectral Ratio: R=0.3%, G=99.0%, B=0.7%



# B3535-24V-128-10mm-19.2W-RGB-IP22/IP68

## Test Data for 1 Meter LED Strip Length (BLUE)



### Chroma Parameters

Chromaticity Coordinates:  $x=0.1341, y=0.0563, u=0.1574, v=0.0992, duv=-0.0188$   
 Correlated Color Temperature: 100000K  
 Dominant Wave.: 468.0nm  
 Purity: 97.6%  
 Flux RGB Ratio: R=0.0%, G=17.0%, B=83.0%  
 Peak Wave: 463.7nm  
 Half Width: 20.6nm

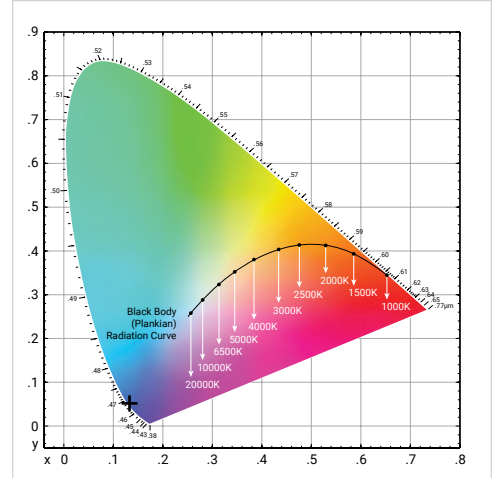
### Rendering Index: Ra=-55.9

R1=-35 R2=-65 R3=-149 R4=-77 R5=8 R6=-56 R7=-47 R8=-39  
 R9=-305 R10=-277 R11=-107 R12=-115 R13=-61 R14=-37 R15=-17

### Photo Parameters

Luminous Flux: 200.16 lm  
 Luminous Efficacy: 26.0 lm/W

C.I.E. 1931 Chromaticity Diagram



Spectral Ratio: R=0.0%, G=17.0%, B=83.0%

