

RONDO

Pendant LED light in recycled wood enclosure

Luminaire DEL suspendu en bois recyclé

LUMEN
Truss

SPECIFICATION SHEET FICHE TECHNIQUE

PROJECT / PROJET:

TYPE: _____ QTY/QTÉ: _____



OPTIONS ::

POWER / PUISSANCE

6 Watts
560 Lumens
EQUIVALENT: 50W HAL.

DIMMABLE
GRADUABLE

3 Watts
280 Lumens
EQUIVALENT: 30W HAL.

NOT DIMMABLE
NON GRADUABLE

FINISHING / FINITION



Natural / Nature

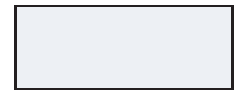


Oiled / Huilée

COLOR TEMPÉRATURE DE COULEUR



3000K
Warm White / Blanc chaud

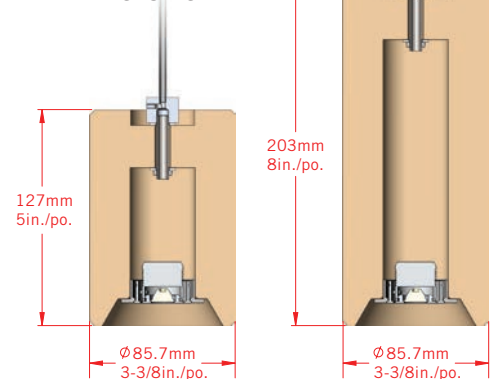


4000K
Neutral White / Blanc neutre

FEATURES / CARACTÉRISTIQUES ::

- Made in Canada / Fabriqué au Canada
- Ecological engineered hardwood enclosure / Enceinte en bois franc usiné écologique
- Stainless steel components / Composantes en acier inoxydable
- Driver included / Driver inclus
- Dimmable lighting (6W model only) / Éclairage graduable (modèle 6w seulement) - Use/utiliser Lutron CTCL-153P-Skylark or/ou Diva
- Includes round 5 in. stainless steel canopy and 8 ft. of clear cable / Inclut plafonnier de 5 po. en inox et 8 pi. de fil coaxial transparent

DIMENSIONS



LUMEN
Truss

Toll Free/Sans frais : 1 888-653-3533 - Tel. 514 448-1574
OFFICE AND SHOWROOM / BUREAU ET SALLE DE MONTRE :
6068 Metropolitain Est, Montréal (Quebec) H1S 1A9

RONDO