

1. If not already installed, clip the PVC clips inside the 1450 profile (we recommend using 1 PVC clip every 6" for better results).

- a) READ AND FOLLOW ALL SAFETY INSTRUCTIONS
- b) Do not cover this product as the covering may cause the flexible light to overheat and melt or ignite.
- c) Do not operate with the flexible light tightly coiled. To prevent overheating do not allow contact between flexible light and parts of light with cables. Maintain at least 12 mm spacing between flexible light and parts of light with cables.
- d) Do not puncture, cut, shorten, or splice the flexible lighting.
- e) Do not route the cord or flexible lighting through walls, doors, windows or any like part of the building structure.
- f) Do not use if there is any damage to the light or cord insulation. Inspect periodically.
- g) Do not submerge flexible light in liquids, or use the product in the vicinity of standing water or other liquids.
- h) Secure this flexible light using only the clips provided. Do not secure this product or its cord with staples, nails, or like means that may damage the insulation or permanently attach to the building structure.
- i) Do not subject flexible lighting to continuous flexing.
- j) DO NOT EXCEED THE MAXIMUM NUMBER OF EXTENSIONS OR FLEXIBLE LIGHT LENGTHS PERMITTED BY THE MANUFACTURER.
- k) Do not install in cabinets, tanks or closed enclosures of any kind.
- l) This product has a polarized plug (one blade is wider than the other) as a feature to reduce the risk of electric shock. This plug will fit in a polarized outlet only one way. If the plug does not fit fully in the outlet, reverse it.
- SAVE THESE INSTRUCTIONS

**Warning: Risk of Fire and Shock**

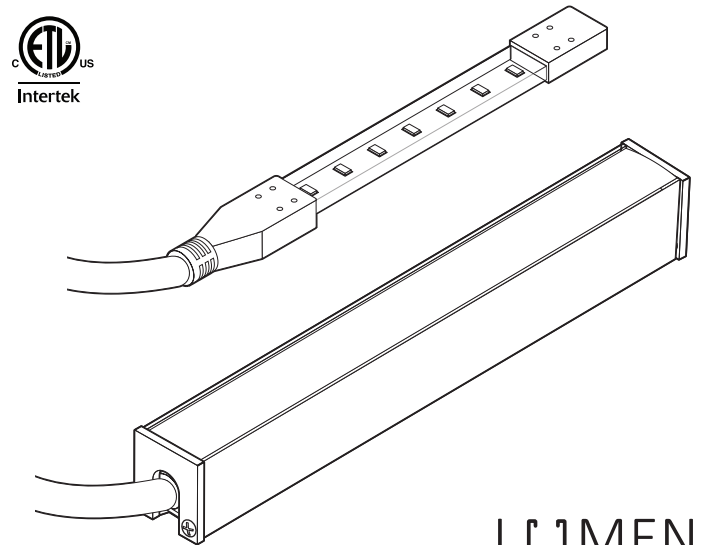
MAKE SURE THAT THE PRODUCT IS DISCONNECTED FROM ANY POWER SOURCE BEFORE AND THROUGHOUT CUSTOMIZATION AND INSTALLATION PROCESS.

**Warning**

When using outdoor use portable lighting products, basic safety precautions should always be followed to reduce the risk of fire, electric shock, and personal injury, including the following:

- a) Ground Fault Circuit Interrupter (GFCI) protection should be included on the circuits or electrical outlet to be used for the outdoor use flexible lighting product. Electrical outlets with built-in GFCI protection are available on the market for this measure of safety.
- b) Use only outdoor extension cords, such as SW, SOW, STW, STOW, SJW, SJOW, SJTW, or SJTOW type. This designation is marked on the wire of the extension cord.
- c) **Caution:** Do not install closer than 3 meters from water surface.
- d) Use only extension segments recommended by the manufacturer of this system.

LUXLINE  
IP65 120VAC Direct Line LED Strip  
1450 Series  
B3056-LUXLINE120-72-16mm-13.2W-xxxxK  
INSTALLATION SHEET



Canadian leader in LED lighting  
Le leader Canadien en éclairage DEL

6068 Métropolitain Est  
Montréal (Québec), H1S 1A9  
514.903.5863  
1 855 384-3384  
info@lumentruss.com  
www.lumentruss.com



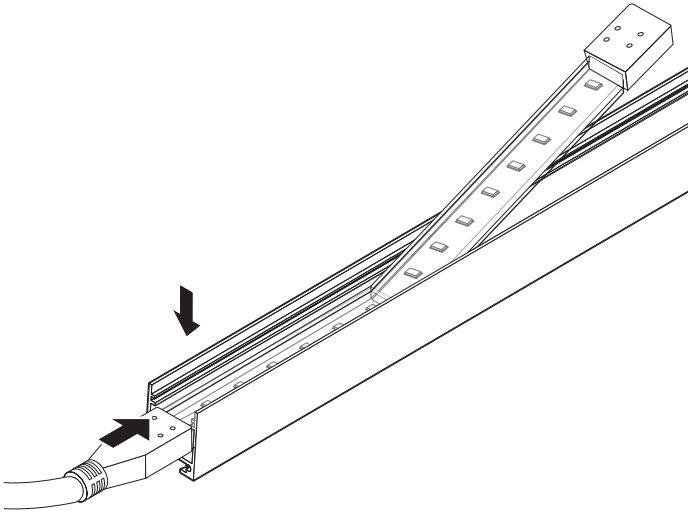
DEC2018-1



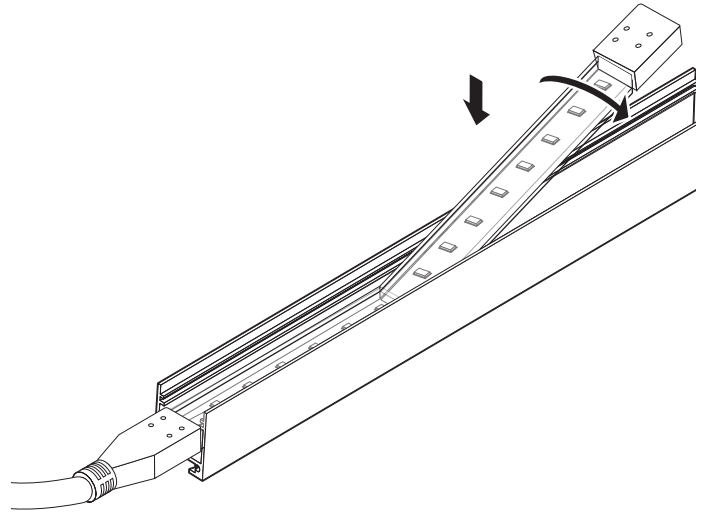
Warning: Risk of electric shock

**MAKE SURE THAT THE PRODUCT IS DISCONNECTED FROM ANY POWER SOURCE BEFORE AND THROUGHOUT CUSTOMIZATION AND INSTALLATION PROCESS.**

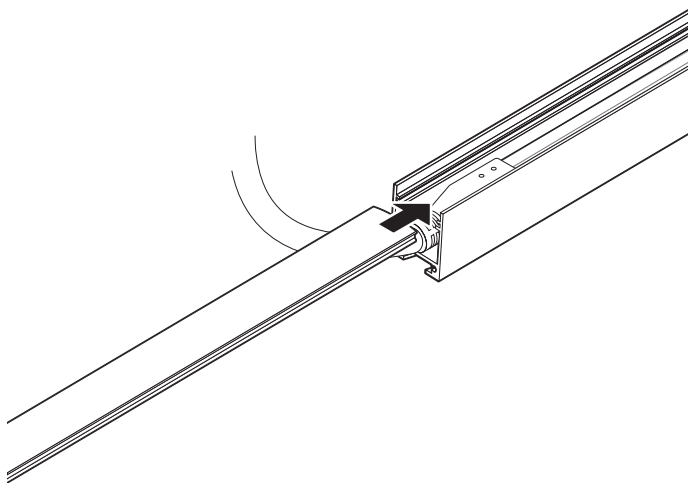
2. Align the LED strip with the 1450 profile. Slide the wire end into the extrusion first.



3. Slide the LED strip into the 1450 profile until the wire end of the strip is completely inside the profile. Then clip the other end and the rest of the LED strip into place.



4. Slide the lens into place.



5. Screw on end caps.

