

# 180 FLEX

(LM21037-60)



1-855-384-3384  
www.lumentruss.com  
info@lumentruss.com

We reserve the right to change specifications without prior notification. Last update: October 14, 2021

# 180 FLEX

(LM21037-60)

LED ENGINE

## NEON SLEEVE SERIES

Highly durable, flexible, Uniform pixel free light!

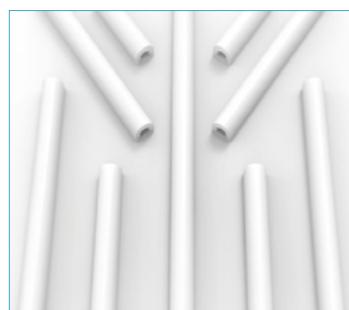


### FEATURES

- Professional structure design, uniform soft light, no spots, consistent color temperature.
- Attractive modern look for wide variety of applications.
- Silicone material, resistant to yellowing and high temperature, can be used outdoors.
- Soft, flexible, easy modeling and tensile resistance.

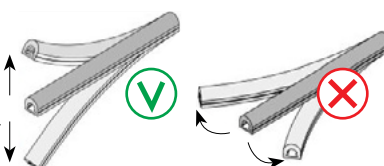
### TECHNICAL SPECIFICATIONS

- LED Strip Compatibility **up to 8mm wide**
- Sleeve Width **13mm / 0.51in**
- Sleeve Thickness **13mm / 0.51in**
- IP Grade **IP65**
- Min. Bending Diameter **250mm / 10in**
- Min. Inner Coil Diameter **350mm / 14in**
- Operating Temperature **-20 to 50°C**
- Beam Angle **150°**



### IMPORTANT: CONTAINS FRAGILE ELECTRONIC COMPONENTS

- Respect min. bending radius.
- Do not fold.
- Do not twist.
- Do not pierce.
- Can only be bent in the direction perpendicular to the LED tape.



### TO ORDER

SLEEVE TYPE	BRACKET	LENGTH	CCT	LUMEN PACKAGE*	LEAD IN / OUT	USAGE	POWER SUPPLY TYPE
180F - 180 Flex	FL - Flat bracket	<b>Total length in inches</b> Max. length = 196in (5m)	<div style="display: flex; flex-direction: column; gap: 5px;"> <div style="display: flex; align-items: center;"><span style="width: 15px; height: 10px; background-color: #e67e22; border: 1px solid black;"></span> 24 - 2400K</div> <div style="display: flex; align-items: center;"><span style="width: 15px; height: 10px; background-color: #f1c40f; border: 1px solid black;"></span> 27 - 2700K</div> <div style="display: flex; align-items: center;"><span style="width: 15px; height: 10px; background-color: #f1c40f; border: 1px solid black;"></span> 30 - 3000K</div> <div style="display: flex; align-items: center;"><span style="width: 15px; height: 10px; background-color: #f1c40f; border: 1px solid black;"></span> 35 - 3500K</div> <div style="display: flex; align-items: center;"><span style="width: 15px; height: 10px; background-color: #f1c40f; border: 1px solid black;"></span> 42 - 4200K</div> <div style="display: flex; align-items: center;"><span style="width: 15px; height: 10px; background-color: #f1c40f; border: 1px solid black;"></span> 62 - 6200K</div> </div>	LP1 - 160 LM/1.5WFT/90+CRI LP2 - 255 LM/3.0W FT/90+CRI LP3 - 308 LM/4.5W FT/90+CRI	HW3F - Hardwire 3ft, front HW6F - Hardwire 6ft, front HW9F - Hardwire 9ft, front HWXF - Hardwire N ft, front DC3F - DC plug 3ft, front DC6F - DC plug 6ft, front DC9F - DC plug 9ft, front DCXF - DC plug N ft, front	I - IP65 dry and damp locations	A - No dimming B - ELV dimming 120V AC C - ELV dimming 120/277V AC D - 0/10V dimming 120/277V AC E - No dimming DC plug in NO - No driver
<b>180F</b>	<b>FL</b>	—	—	—	—	<b>I</b>	—
SLEEVE TYPE	MOUNTING HARDWARE	LENGTH	COLOUR TEMP.	LUMEN PACKAGE	LEAD IN LEAD OUT	USAGE	POWER SUPPLY TYPE

\*NOTE: The light output is provided in lumens per foot, for a CCT of 4200K and a clear lens. Please refer to the optics page for CCT and translucency conversion factors



1-855-384-3384  
www.lumentruss.com  
info@lumentruss.com

We reserve the right to change specifications without prior notification. Last update: October 14, 2021

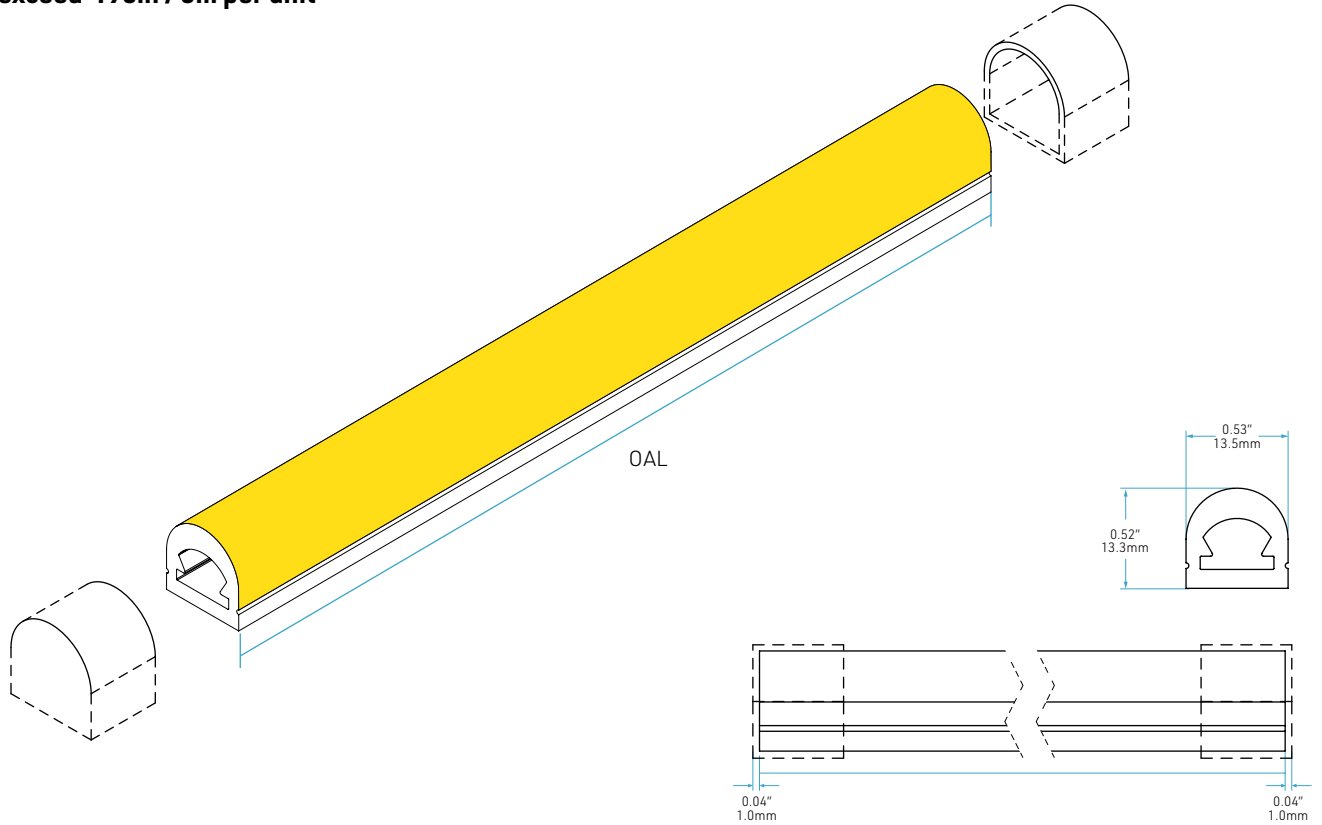
# 180 FLEX

## DIMENSIONS

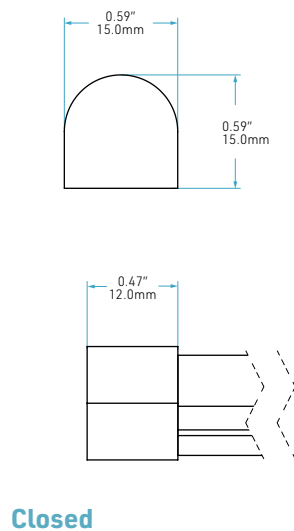
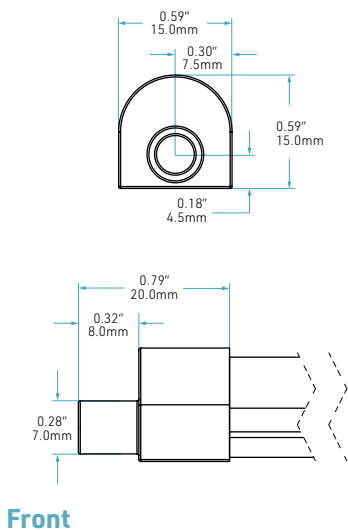
Company:  
 Project:  
 Reference Type:  
 Quantity:  
 Date:  
 Approved by:

OAL:

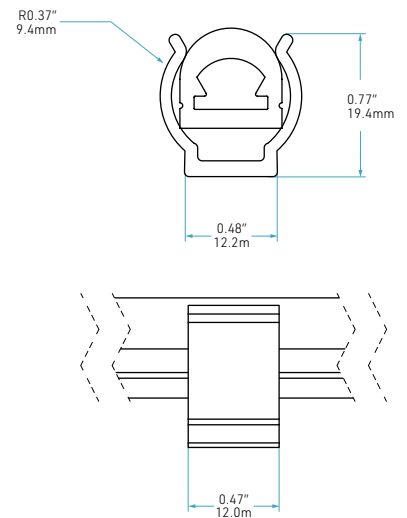
OAL (overall length including end caps): inches  
 \*Must not exceed 196in / 5m per unit



### END CAPS



### CLIP BRACKET



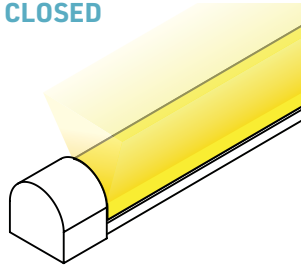
# 180 FLEX

## WIREWAY

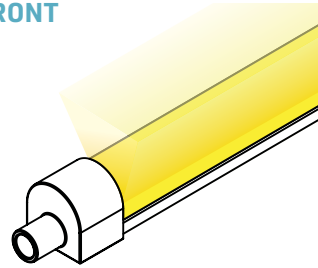
Company:  
Project:  
Reference Type:  
Quantity: OAL:  
Date:  
Approved by:

### END CAP TYPES:

CLOSED



FRONT



### LAYOUT OPTIONS (UPLIGHT POSITION)

INPUT



FRONT

OUTPUT



CLOSED

