

TOP VIEW FLEX

(LM21037-80)



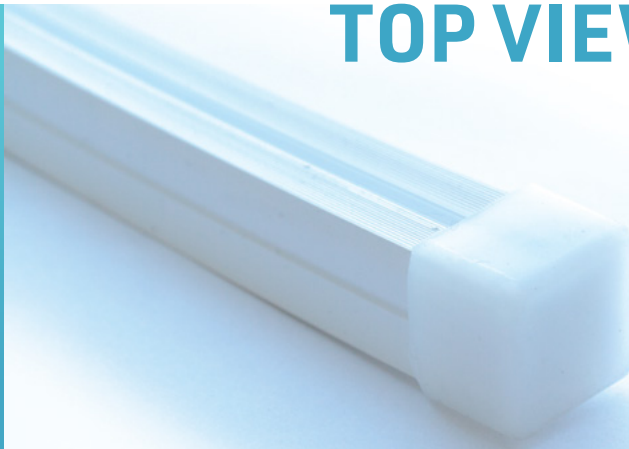
TOP VIEW FLEX

(LM21037-80)

LED ENGINE

NEON SLEEVE SERIES

Highly durable, flexible,
Uniform pixel free light!

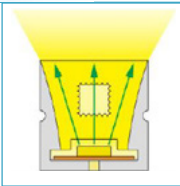


FEATURES

- Professional structure design, uniform soft light, no spots, consistent color temperature.
- Attractive modern look for wide variety of applications.
- Silicone material, resistant to yellowing and high temperature, can be used outdoors.
- Soft, flexible, easy modeling and tensile resistance.

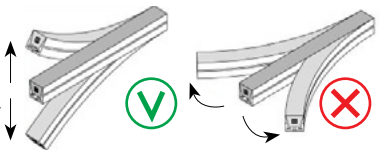
TECHNICAL SPECIFICATIONS

- LED Strip Compatibility up to 12mm wide
- Sleeve Width 16mm / 0.63in
- Sleeve Thickness 16mm / 0.63in
- IP Grade IP65
- Min. Bending Diameter 300mm / 12in
- Min. Inner Coil Diameter 400mm / 15in
- Operating Temperature -20 to 50°C
- Beam Angle 120°



IMPORTANT: CONTAINS FRAGILE ELECTRONIC COMPONENTS

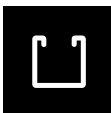
- Respect min. bending radius.
- Do not fold.
- Do not twist.
- Do not pierce.
- Can only be bent in the direction perpendicular to the LED tape.



TO ORDER

SLEEVE TYPE	BRACKET	LENGTH	CCT	LUMEN PACKAGE*	LEAD IN / OUT	USAGE	POWER SUPPLY TYPE
TOPF - Top View Flex	FL - Flat bracket	Total length in inches Max. length = 196in (5m)	<ul style="list-style-type: none"> 24 - 2400K 27 - 2700K 30 - 3000K 35 - 3500K 42 - 4200K 53 - 5300K* 62 - 6200K** WD - WarmDim RGB - RGB RGBW - RGBW 	<ul style="list-style-type: none"> LP1 - 160 LM/1.5W FT/90+CRI LP2 - 255 LM/3.0W FT/90+CRI LP3 - 308 LM/4.5W FT/90+CRI LP4 - 400 LM/5.8W FT/90+CRI LHP - 700 LM/7.0W FT/95+CRI <p>Note: Not applicable for WarmDim & RGB color temperatures</p>	<ul style="list-style-type: none"> HW3F - Hardwire 3ft, front HW6F - Hardwire 6ft, front HW9F - Hardwire 9ft, front HWXF - Hardwire N ft, front DC3F - DC plug 3ft, front DC6F - DC plug 6ft, front DC9F - DC plug 9ft, front DCXF - DC plug N ft, front 	I - IP65 dry and damp locations	<ul style="list-style-type: none"> A - No dimming B - ELV dimming 120V AC C - ELV dimming 120/277V AC D - 0/10V dimming 120/277V AC E - No dimming DC plug in NO - No driver
TOPF	FL					I	
SLEEVE TYPE	MOUNTING HARDWARE	LENGTH	COLOUR TEMP.	LUMEN PACKAGE	LEAD IN LEAD OUT	USAGE	POWER SUPPLY TYPE

*NOTE: The light output is provided in lumens per foot, for a CCT of 4200K and a clear lens. Please refer to the optics page for CCT and translucency conversion factors



1-855-384-3384
www.lumentruss.com
info@lumentruss.com

We reserve the right to change specifications without prior notification. Last update: October 14, 2021

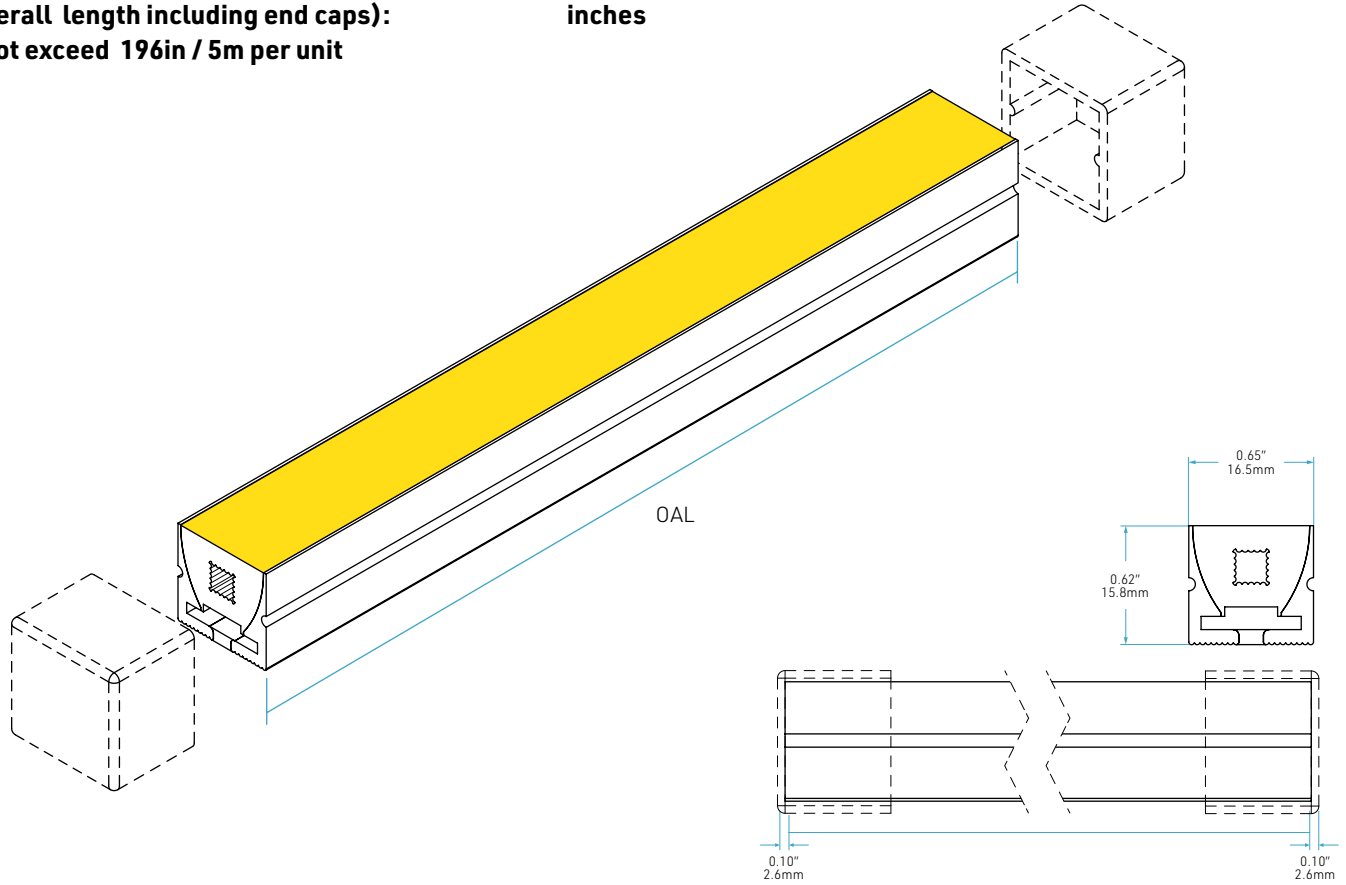
TOP VIEW FLEX

DIMENSIONS

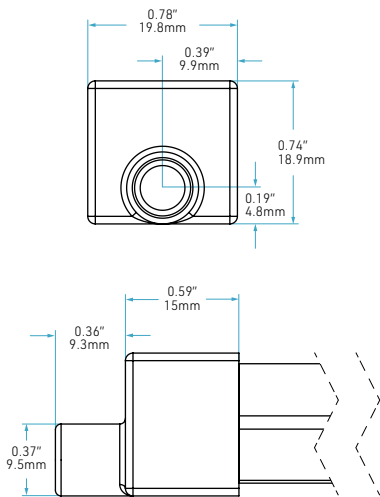
Company:
Project:
Reference Type:
Quantity:
Date:
Approved by:

OAL:

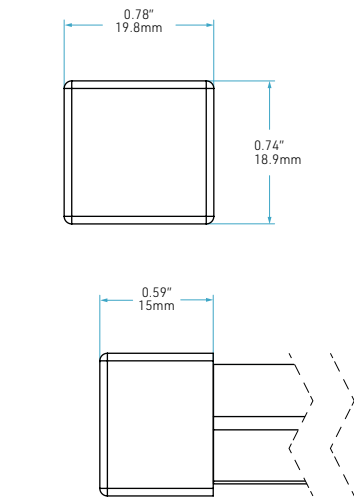
OAL (overall length including end caps): inches
*Must not exceed 196in / 5m per unit



END CAPS

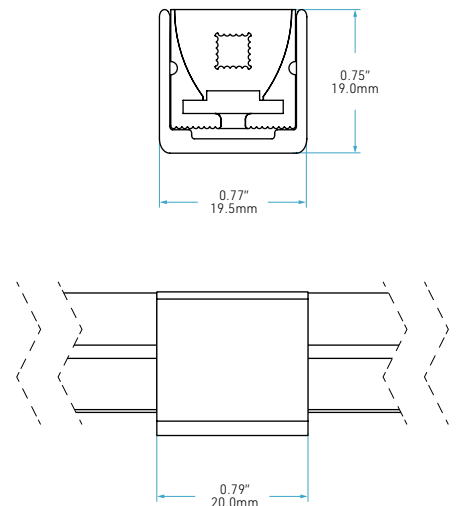


Front



Closed

CLIP BRACKET



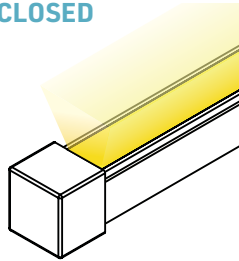
TOP VIEW FLEX

WIREWAY

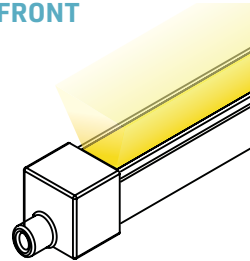
Company:
Project:
Reference Type:
Quantity:
Date:
Approved by:
OAL:

END CAP TYPES:

CLOSED



FRONT



LAYOUT OPTIONS (UPLIGHT POSITION)

INPUT



FRONT

OUTPUT



CLOSED

