

# PL2x2

## LED Light Panel

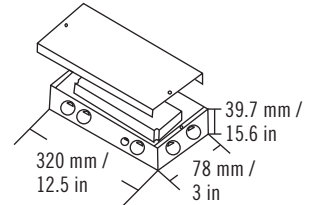
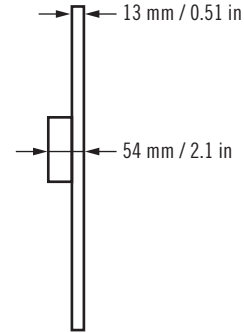
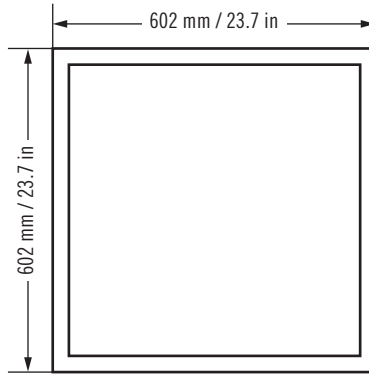


## SPECIFICATION SHEET

PROJECT NAME / No: \_\_\_\_\_

TYPE: \_\_\_\_\_ QTY: \_\_\_\_\_

### FEATURES ::



### PRODUCT DESCRIPTION ::

The 2X2FT LED troffers are DLC Listed, delivers high Lumen of exceptional 80+ CRI light while achieving 91 lumens per watt. It is available in 3500K (as well as 3000K & 4000K on custom orders), and has 0-10V dimming, which is perfect for new construction applications or retrofitting existing fluorescent troffer fixtures with recessed installation, widely used in office spaces, major retail stores, education, government, healthcare, and hospitality.

### PRODUCT SPECIFICATIONS ::

- LED Chip** Use approved LM-80 SMD packing, Active color management maintains superior color consistency over time and temperature. Every fixture is tuned as a complete system to the optimal color point before shipment, ensuring fixture-to-fixture color consistency.
- Heat Sink** The source and radiator distribution in fixture around, heat source distribution placed solve heat concentration, quantity of heat conduction of each other and radiation, effective to solve thermal management system design of the cooling. This enables the LEDs to consistently run cooler, providing significant boosts to lifetime, efficacy, and color consistency.
- Optical System** Proprietary optical system utilizes a unique combination of reflective and refractive optical components to achieve a uniform, comfortable appearance. Use guide plate printing high density pixels to shine, and has the light even, shiny surface, no shelter Angle, and no glare, high efficacy.

### ELECTRICAL SYSTEM ::

**High efficiency driver and power supply.**  
**Power Factor:** >0.9(277V)  
**Driver output:** DC24 V  
**Input Power:** Stays constant over life  
**Diver Input:** AC100-240 V  
**Temperature Rating:** Designed to operate at 45°C and below room side and plenum side.

### ORDER INFORMATION ::

EXAMPLE : PL2X2-48W

Product category	Size	Dimming	Fixture wattage	CCT
PL	2 x 2 FT	D = 0-10 v Dimming	48 W	35 = 3500k 3000 - 4000 available



Toll Free 1 888-653-3533 - Tel. 514 448-1574  
 OFFICE AND SHOWROOM  
 6068 Metropolitan East, Montreal (Quebec) H1S 1A9



## PERFORMANCE SUMMARY ::

Efficacy: 91LPW

Delivered Light Output: 3600 Lumens

Input Power: 48 Watts

CRI: Ra>80

DLC CCT: 3000K/3500K/4000K

Input Voltage: 100-240 VAC

Input current: 0.4 -0.16A

Standard Warranty: 5 Years

Standard Lifetime: Designed to L70 minimum 50,000 hours

Mounting: Recessed

0-10v dimming, 10%-100% smooth linear dimming

Dimensions: L 23.7" x W 23.7" x H 2"

Weight: 4.4KG/9.7lbs

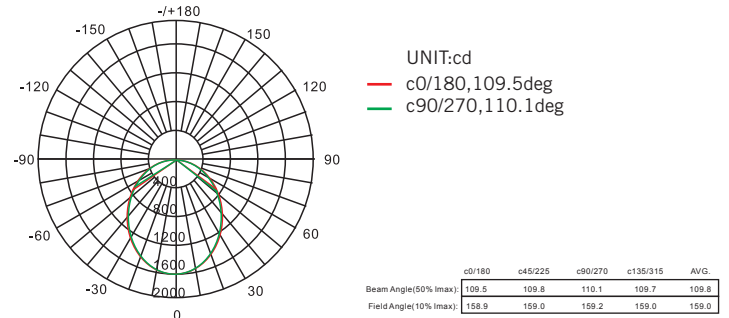
## REGULATORY & VOLUNTARY QUALIFICATIONS ::

cULus List	E360437
DLC List	Yes
Lighting Facts Label	Yes
LM79 Report	Yes
Suitable for Damp Locations	Yes

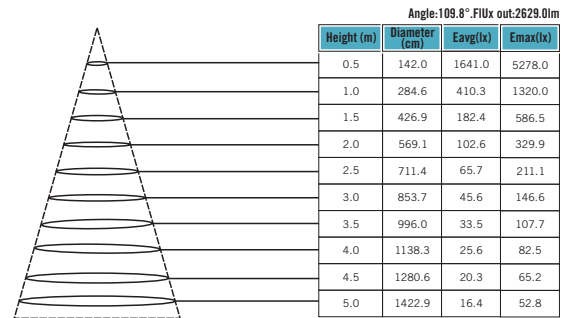
## PHOTOMETRY ::

Fixture photometry has been conducted accredited testing laboratory in accordance with IESNA LM-79-08. IESNA LM-79-08 specifies the entire luminaire as the source resulting in a fixture efficiency of 100%. Result may vary per actual order.

## LUMINOUS INTENSITY DIAGRAM ::



## AVERAGE ILLUMINANCE CURVE ::



## ZONAL FLUX DIAGRAM ::

Y	C0	C45	C90	C135	C180	C225	c270	c315
10	1296	1300	1300	1295	1291	1287	1288	1290
20	1226	1233	1232	1224	1217	1211	1211	1217
30	1109	1119	1119	1109	1096	1088	1088	1096
40	951.2	964.4	964.9	952.0	935.7	926.8	928.3	937.4
50	763.4	778.7	781.3	766.1	747.2	738.3	741.0	749.2
60	555.4	570.3	575.8	560.0	541.4	532.5	536.0	542.1
70	336.2	350.2	357.3	343.1	326.8	318.1	321.5	325.0
80	123.6	133.0	136.1	129.6	119.1	112.1	110.9	115.1
90	2.855	3.548	3.802	3.175	0.0922	0.0854	0.0869	0.0866

DEG LUMINOUS INTENSITY:cd

## ZONAL LUMEN SUMMARY ::

T	φ zone	φ total	lum. lamp
0-10	124.6	124.6	3.42,3.42
10-20	356.5	481.2	13.2,13.2
20-30	538.1	1019	28,28
30-40	643.1	1662	45.7,45.7
40-50	659.1	2321	63.8,63.8
50-60	587.3	2909	79.9,79.9
60-70	439.3	3348	92,92
70-80	239.1	3587	98.5,98.5
80-90	50.39	3638	99.9,99.9

UNIT:lm

## COEFFICIENTS OF UTILIZATION ::

ppc	80%			70%			50%			30%			10%			0
	50%	30%	10%	50%	30%	10%	50%	30%	10%	50%	30%	10%	50%	30%	10%	
pw	20%															0
pfc	20%															0
RCR	RCR:Room Cavity Ratio (CU)															0
0.0	119	119	119	116	116	111	111	111	106	106	106	102	102	102	0	
1.0	104	100	96	102	98	95	98	95	92	94	91	89	90	88	84	
2.0	91	84	79	89	83	78	86	80	76	82	78	74	79	76	70	
3.0	80	72	65	78	71	65	75	69	64	73	67	63	70	65	59	
4.0	71	62	55	70	61	55	67	60	54	65	59	54	62	57	51	
5.0	63	54	48	62	54	48	60	53	47	58	52	46	56	51	44	
6.0	57	48	42	56	48	42	54	47	41	53	46	41	51	45	38	
7.0	52	43	37	51	43	37	49	42	36	48	41	36	47	40	34	
8.0	47	39	33	47	38	33	45	38	33	44	37	32	43	37	30	
9.0	43	35	30	43	35	30	42	34	29	40	34	29	39	33	27	
10.0	40	32	27	39	32	27	38	31	27	38	31	27	37	31	25	