

B5050-12V-72-10mm-17.8W-3500K-IP22

Specification Sheet



PHYSICAL

Product Type	Flexible LED Strip		
SMD Type	5050		
Strip Width	2/5 in	10 mm	
Strip Total Length (Roll)	16.4 ft	5 m	
LED Linear Density	21.9 LED/ft	72 LED/m	360 LED/roll total
Can be cut at every	0.55 in	13.9 mm	1 LED
Lifespan	50 000 Hrs		
IP Code (IEC standard 60529)	IP22		

ELECTRICAL

Input Type	DC, Constant Voltage		
Input Voltage	12V DC		
Rated Power (Max.)	5.4 W/ft	17.8 W/m	89 W/roll total

LIGHTING

Luminous Flux	373.2 lm/ft	1224.4 lm/m	6122 lm/roll total
Luminous Efficacy	80.5 lm/W		
Correlated Color Temperature	3500K (Bright White)		
Colour Rendering Index	93.1		
R9	86		
duv (black-body curve deviation)	0.0011		

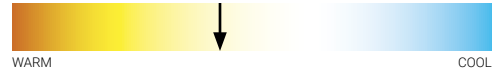


Electrical Input

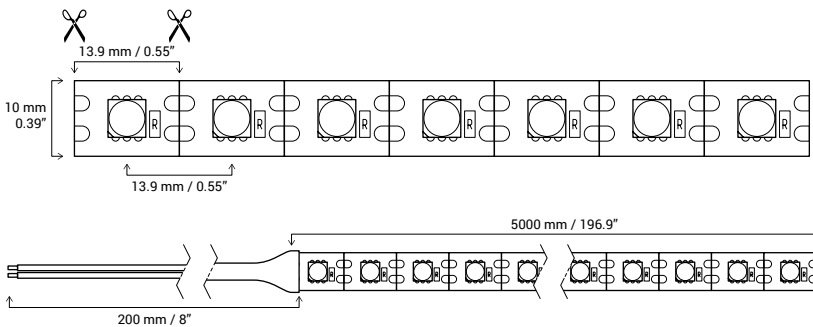
Rated Power (Max.)

CONSTANT VOLTAGE **12V DC** **89 W/roll**

Correlated Color Temperature (CCT) 3500K



DIMENSIONS



B5050-12V-72-10mm-17.8W-3500K-IP22

Test Data for 1 Meter LED Strip Length



Chroma Parameters

Chromaticity Coordinates: $x=0.3985, y=0.3896, u=0.2318, v=0.3399, duv=0.0011$
 Correlated Color Temperature: 3644K
 Dominant Wave.: 579.9nm
 Purity: 36.5%
 Flux RGB Ratio: R=19.8%, G=78.0%, B=2.3%
 Peak Wave: 598.7nm
 Half Width: 148.0nm

Rendering Index: Ra=93.1

R1=95 R2=95 R3=93 R4=96 R5=94 R6=92 R7=97 R8=95
 R9=86 R10=88 R11=95 R12=76 R13=96 R14=96 R15=98

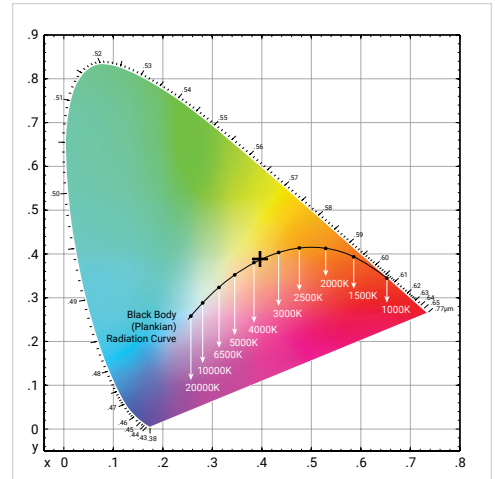
Photo Parameters

Luminous Flux: 1224.4 lm
 Luminous Efficacy: 80.5 lm/W
 Radiant Flux: 3654.1 mW
 Iv: 0.0 mcd

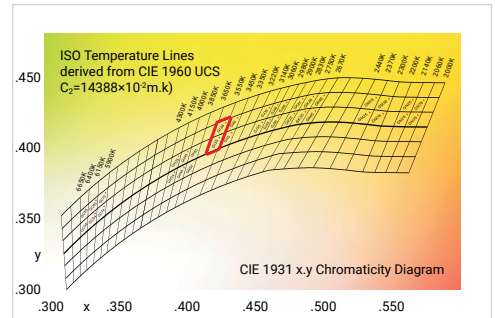
Electrical Parameters

Voltage: U=12.000V
 Current: I=1.27A
 Power: P=15.21W
 Power Factor: PF=1.000

C.I.E. 1931 Chromaticity Diagram



Binning: G135-36 (3550-3650K)



Spectral Ratio: R=36.3%, G=47.3%, B=16.4%

