

B5050-12V-72-10mm-17.8W-4200K-IP22

Specification Sheet



PHYSICAL

Product Type	Flexible LED Strip		
SMD Type	5050		
Strip Width	2/5 in	10 mm	
Strip Total Length (Roll)	16.4 ft	5 m	
LED Linear Density	21.9 LED/ft	72 LED/m	360 LED/roll total
Can be cut at every	0.55 in	13.9 mm	1 LED
Lifespan	50 000 Hrs		
IP Code (IEC standard 60529)	IP22		

ELECTRICAL

Input Type	DC, Constant Voltage		
Input Voltage	12V DC		
Rated Power (Max.)	5.4 W/ft	17.8 W/m	89 W/roll total

LIGHTING

Luminous Flux	392.5 lm/ft	1287.9 lm/m	6439.5 lm/roll total
Luminous Efficacy	81.0 lm/W		
Correlated Color Temperature	4200K (Neutral White)		
Colour Rendering Index	93.6		
R9	80		
duv (black-body curve deviation)	0.0006		



Electrical Input

Rated Power (Max.)

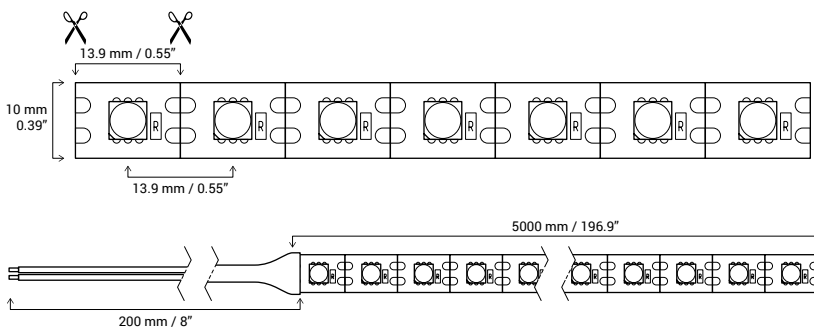
CONSTANT VOLTAGE	12V DC	89 W/roll
------------------	---------------	------------------

Correlated Color Temperature (CCT)

4200K



DIMENSIONS



B5050-12V-72-10mm-17.8W-4200K-IP22

Test Data for 1 Meter LED Strip Length



Chroma Parameters

Chromaticity Coordinates: $x=0.3799, y=0.3777, u=0.2244, v=0.3346, duv=0.0006$
 Correlated Color Temperature: 4211K
 Dominant Wave.: 578.6nm
 Purity: 27.4%
 Flux RGB Ratio: R=19.6%, G=77.9%, B=2.6%
 Peak Wave: 452.7nm
 Half Width: 26.3nm

Rendering Index: Ra=93.6

R1=93 R2=94 R3=92 R4=94 R5=93 R6=92 R7=98 R8=93
 R9=80 R10=85 R11=92 R12=69 R13=93 R14=95 R15=94

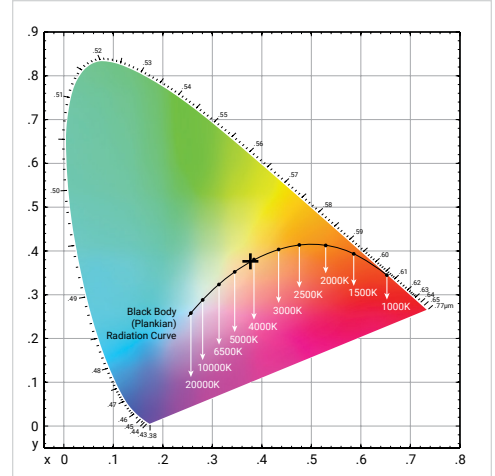
Photo Parameters

Luminous Flux: 1287.9 lm
 Luminous Efficacy: 81.0 lm/W
 Radiant Flux: 4507.9 mW
 Iv: 0.0 mcd

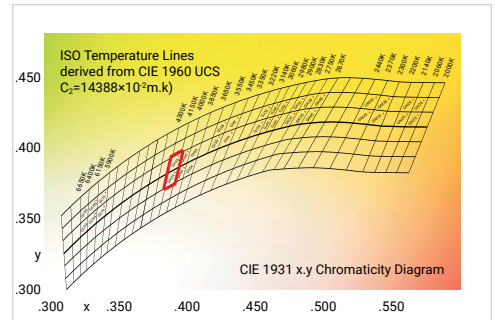
Electrical Parameters

Voltage: U=12.000V
 Current: I=1.33A
 Power: P=15.9W
 Power Factor: PF=1.000

C.I.E. 1931 Chromaticity Diagram



Binning: GH34-35 (4150-4300K)



Spectral Ratio: R=42.4%, G=41.2%, B=16.5%

